

**Flowrate**0.7 m³/h**Total Head**

4 m

Power

0.01 kW

Horizontal magnetic drive pump for the transfer of corrosive fluids

APPLICATIONS

Corrosive fluids
Dense fluids
Bath transfer

ADVANTAGES

Great efficiency
Acid and alkali resistant
Galvanic bath transfer

CONNECTION

Grooved nozzle

SPECIFICATION**Hydraulic performances**

Max flow rate (m ³ /h)	0.7
Total head (m)	4
Max temperature (°C)	80 (PP)
Density	< 1.2

Motor

Standard	N/A
Power supply (V)	230 1ph
Power (kW)	0.01
Frequency (Hz)	50 - 60
Rotation speed (rpm)	3000

Design

Technology	Magnetic drive
Available materials	Polypropylene (PP)
Seals	Ceramic / rulon
Gaskets	EPDM (PP) FPM (PP - PVDF)



SIEBEC SAS
contact@siebec.com



SIEBEC Ltd
sales@siebec.co.uk



SIEBEC S.L.
ventas@siebec.com



SIEBEC SRL
commerciale@siebec.com



SIEBEC GmbH
info@siebec.de



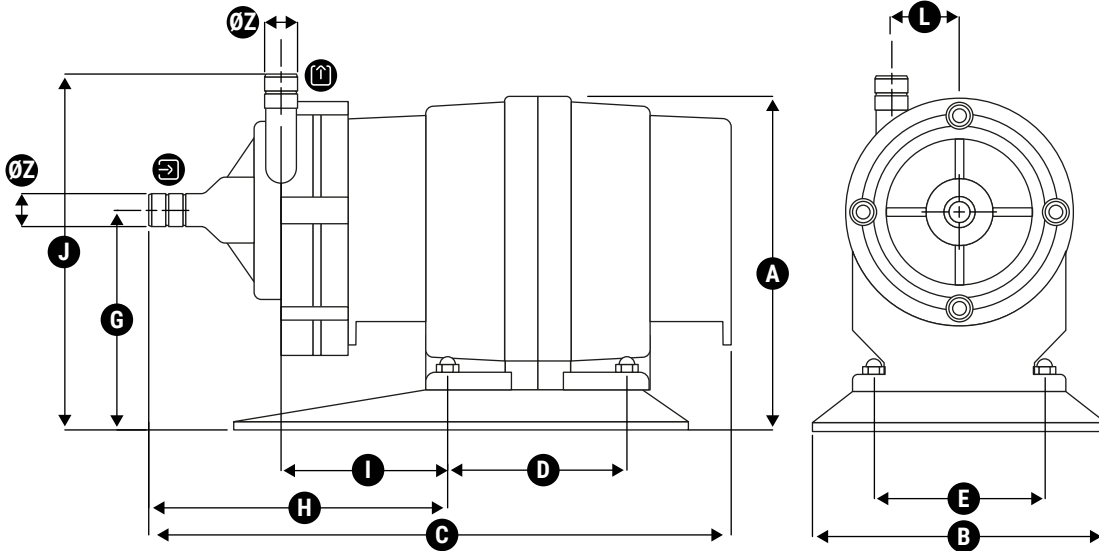
SIEBEC LDA
info.pt@siebec.com

We are here to help.
Contact us!

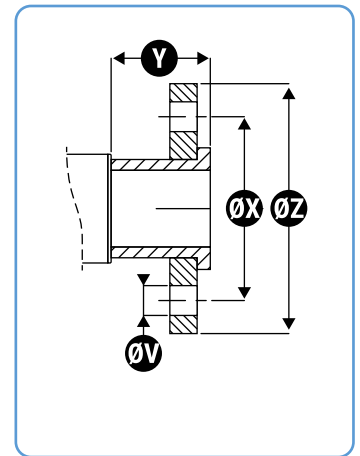
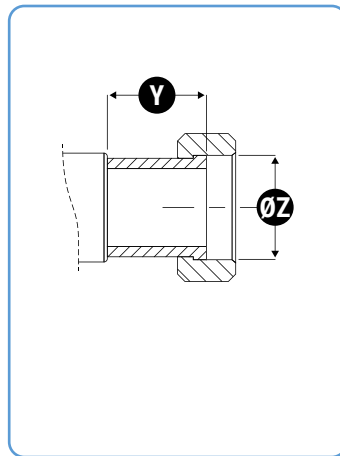
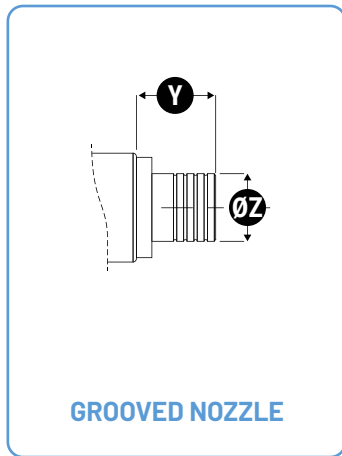


DIMENSIONS

Units : mm



Outline dimensions			Fixation			Inlet / Outlet					
A	B	C	D	E	F	G	H	I	J	K	L
123	110	218	67	64	N/A	82	112	62	133	N/A	25

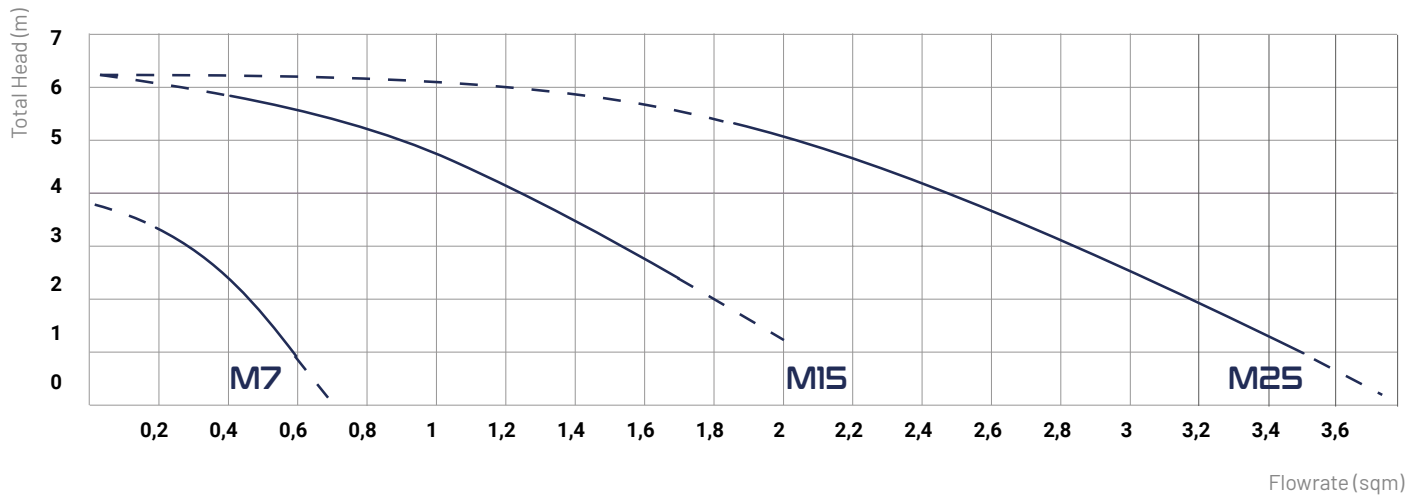


	Grooved nozzle		Y	Z	Y	Z	X	V
	Y	Z						
Entrée	N/A	Ø12	-	-	-	-	-	-
Sortie	N/A	Ø12	-	-	-	-	-	-

FT-SI-M-SERIES-M7-EN



FLOWRATE CHARTS



FT-SI-M-SERIES-M7-EN



SIEBEC MAGNETIC DRIVE PUMPS

M SERIES



	Flowrate (m ³ /h)	Total Head (m)	Power (kW)	Density	Power supply (V)
M7	0.7	4	0.01	1.2	230 Single-phase
M15	2	6	0.045	1.2	230 Single-phase
M25	3	7	0.12	1.1	230 Single-phase
M35	3	10	0.18	1.4	230 Single-phase
M50	5	10	0.18	1.2	230 Single-phase
M70	7	9.5	0.25	1.2	230 Single-phase
M100	10	18	0.75	1.5	230 / 400 Three-phase
M140	16	19	1.1	1.5	230 / 400 Three-phase
M200	21	20	1.1	1.5	230 / 400 Three-phase
M250	26	19	1.5	1.2	230 / 400 Three-phase
M290	31.5	21.5	2.2	1.5	230 / 400 Three-phase
M390	43	22	3	1.3	230 / 400 Three-phase



SIEBEC SAS
contact@siebec.com



SIEBEC Ltd
sales@siebec.co.uk



SIEBEC S.L.
ventas@siebec.com



SIEBEC SRL
commerciale@siebec.com



SIEBEC GmbH
info@siebec.de



SIEBEC LDA
info.pt@siebec.com

We are here to help.
Contact us!

