**Flowrate**43 m<sup>3</sup>/h**Total Head**

22 m

**Power**

3 kW

Horizontal magnetic drive pump for the transfer of corrosive fluids

**APPLICATIONS**

Corrosive fluids  
Dense fluids  
Bath transfer

**ADVANTAGES**

Protection strainer  
Self-priming  
Great efficiency  
Acid and alkali resistant  
Galvanic bath transfer

**CONNECTION**

Union nut  
Threaded  
Grooved nozzle  
Flanges

**SPECIFICATION****Hydraulic performances**

Max flow rate (m <sup>3</sup> /h)	43
Total head (m)	22
Max temperature (°C)	80 (PP) - 110 (PVDF)
Density	< 1.3 (<1.8 PVDF)

**Motor**

Standard	IE3
Power supply (V)	230 / 400 3ph
Power (kW)	3
Frequency (Hz)	50 - 60
Rotation speed (rpm)	3000

**Design**

Technology	Magnetic drive
Available materials	Polypropylene (PP) Polyvinylidene fluoride (PVDF)
Seals	Ceramic / ceramic with ceramic / rulon end
Gaskets	EPDM (PP) FPM (PP - PVDF)



SIEBEC SAS  
contact@siebec.com



SIEBEC Ltd  
sales@siebec.co.uk



SIEBEC S.L.  
ventas@siebec.com



SIEBEC SRL  
commerciale@siebec.com



SIEBEC GmbH  
info@siebec.de



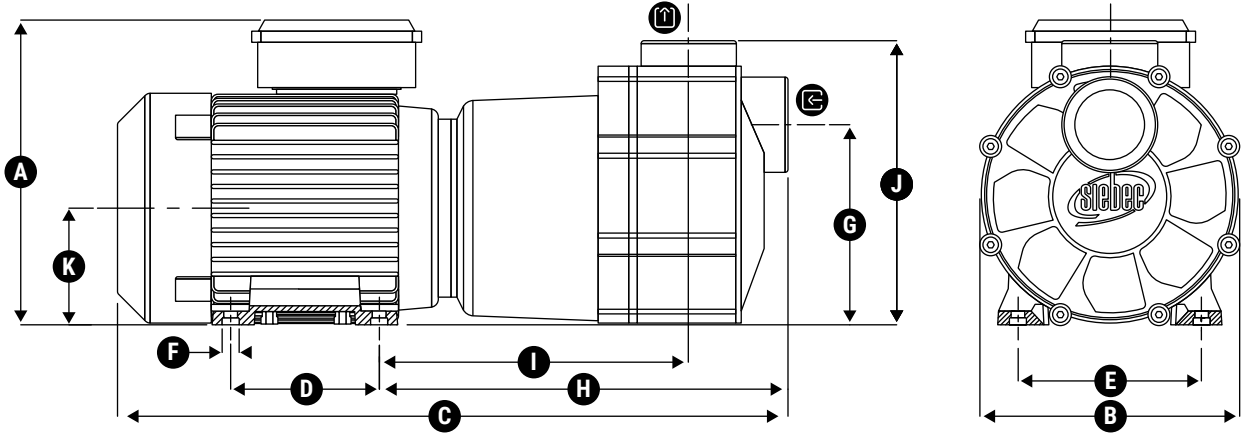
SIEBEC LDA  
info.pt@siebec.com

We are here to help.  
**Contact us!**

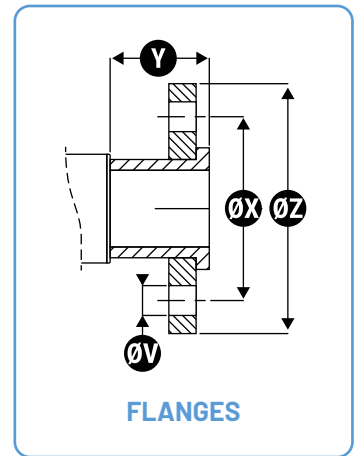
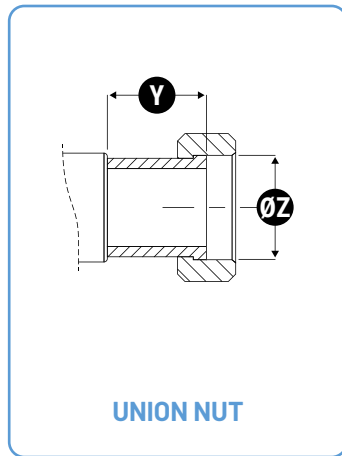
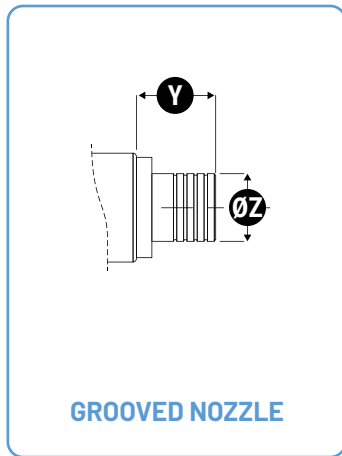


**DIMENSIONS**

Units : mm



Outline dimensions			Fixation			Inlet / Outlet					
A	B	C	D	E	F	G	H	I	J	K	L
243	223	540.25	140	159.4	Ø11(x4)	165	298.5	203	243	100	N/A

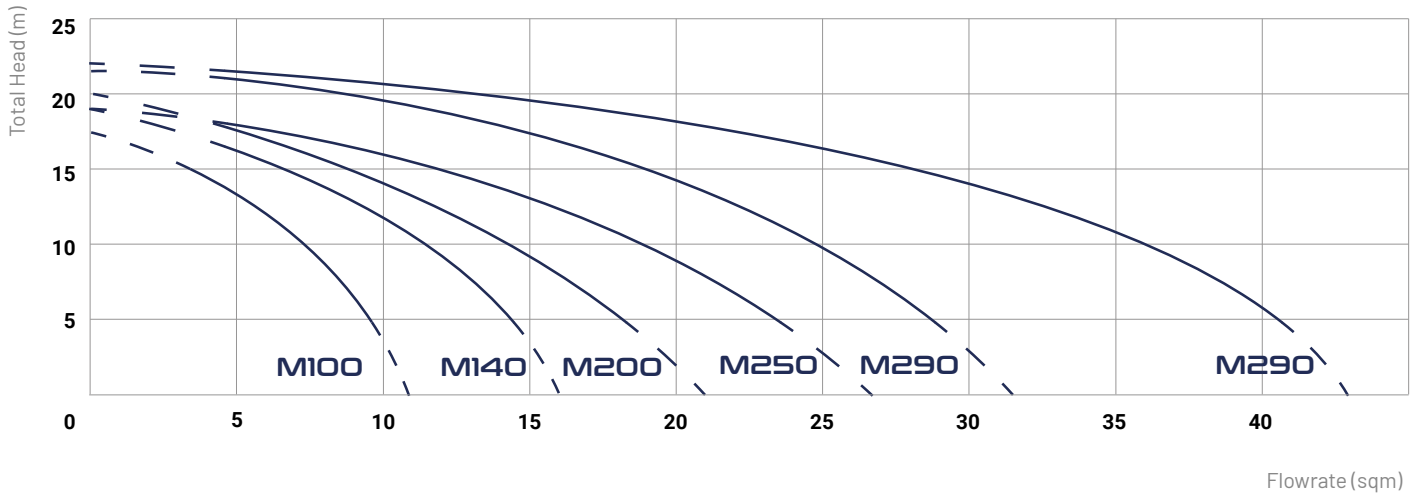


	Grooved nozzle		Union nut		Flanges			
	Y	Z	Y	Z	Y	Z	X	V
<b>Entrée</b>	80	Ø65	73	TR 108X5 DN65	73	Ø185	Ø145	4 x Ø18
<b>Sortie</b>	80	Ø65	44	G2"3/4 - DN50	46	Ø185	Ø145	Ø18 (x4)

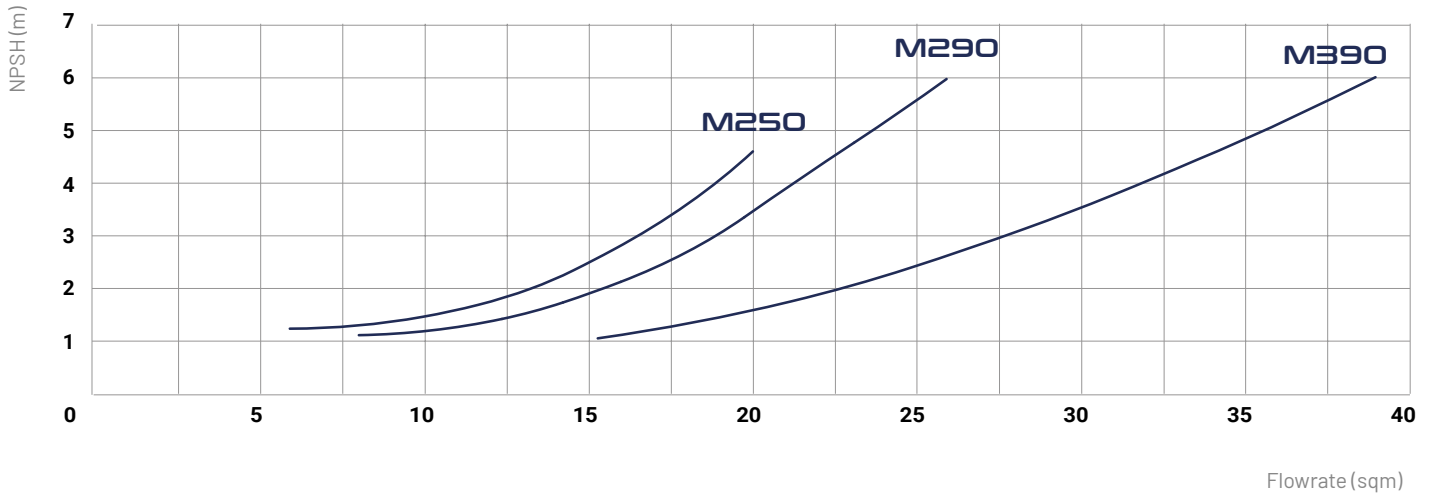
FT-SI-M-SERIES\_M390\_EN



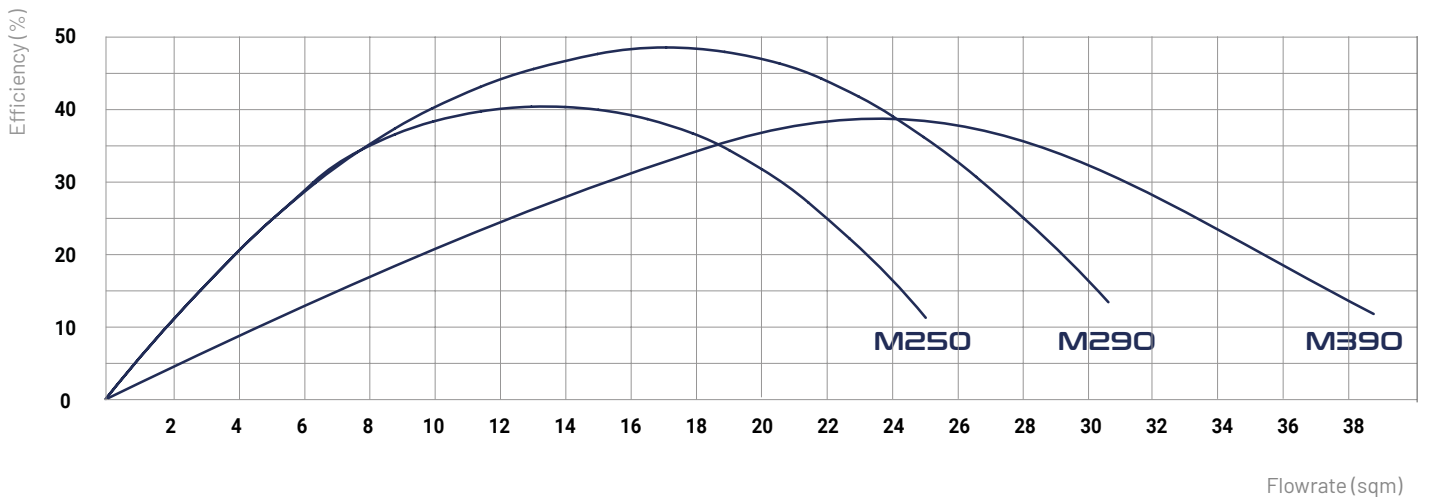
**FLOWRATE CHARTS**



**NPSH CHART**



**EFFICIENCY CHART**



FT-SI-M-SERIES-M390-EN



**SIEBEC MAGNETIC DRIVE PUMPS**

**M SERIES**



	Flowrate (m <sup>3</sup> /h)	Total Head (m)	Power (kW)	Density	Power supply (V)
<b>M7</b>	0.7	4	0.01	1.2	230 Single-phase
<b>M15</b>	2	6	0.045	1.2	230 Single-phase
<b>M25</b>	3	7	0.12	1.1	230 Single-phase
<b>M35</b>	3	10	0.18	1.4	230 Single-phase
<b>M50</b>	5	10	0.18	1.2	230 Single-phase
<b>M70</b>	7	9.5	0.25	1.2	230 Single-phase
<b>M100</b>	10	18	0.75	1.5	230 / 400 Three-phase
<b>M140</b>	16	19	1.1	1.5	230 / 400 Three-phase
<b>M200</b>	21	20	1.1	1.5	230 / 400 Three-phase
<b>M250</b>	26	19	1.5	1.2	230 / 400 Three-phase
<b>M290</b>	31.5	21.5	2.2	1.5	230 / 400 Three-phase
<b>M390</b>	43	22	3	1.3	230 / 400 Three-phase

