

**Flowrate**3.5 m³/h**Total Head**

10 m

Power

0.18 kW

Horizontal magnetic drive pump for the transfer of corrosive fluids

APPLICATIONS

Corrosive fluids
Dense fluids
Bath transfer

ADVANTAGES

Self-priming
Great efficiency
Acid and alkali resistant
Galvanic bath transfer

CONNECTION

Union nut
Threaded
Grooved nozzle
Flanges

SPECIFICATION**Hydraulic performances**

Max flow rate (m ³ /h)	3.5
Total head (m)	10
Max temperature (°C)	80 (PP) - 110 (PVDF)
Density	< 1.4

Motor

Standard	N/A
Power supply (V)	230 1ph
Power (kW)	0.18
Frequency (Hz)	50 - 60
Rotation speed (rpm)	3000

Design

Technology	Magnetic drive
Available materials	Polypropylene (PP) Polyvinylidene fluoride (PVDF)
Seals	Ceramic / ceramic or graphite / ceramic
Gaskets	EPDM (PP) FPM (PP - PVDF) PTFE (PP - PVDF)



SIEBEC SAS
contact@siebec.com



SIEBEC Ltd
sales@siebec.co.uk



SIEBEC S.L.
ventas@siebec.com



SIEBEC SRL
commerciale@siebec.com



SIEBEC GmbH
info@siebec.de



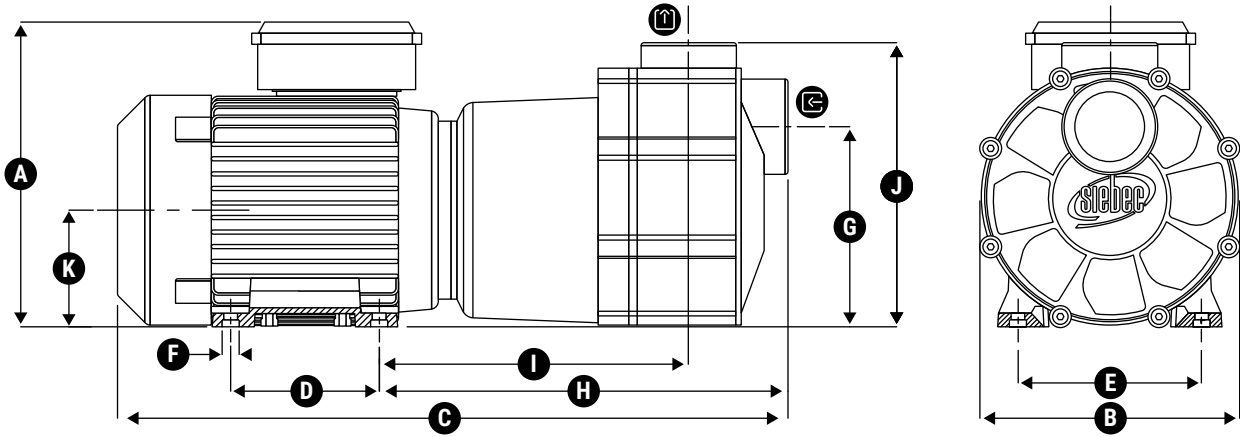
SIEBEC LDA
info.pt@siebec.com

We are here to help.
Contact us!

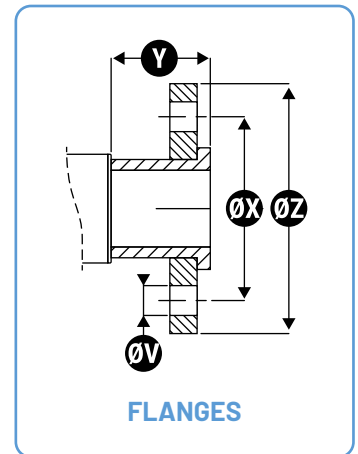
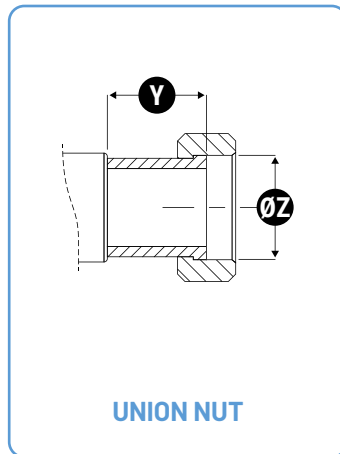
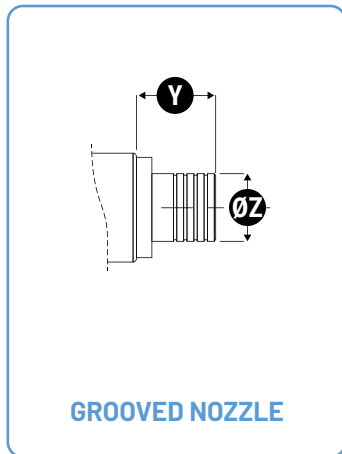


DIMENSIONS

Units : mm



Outline dimensions			Fixation			Inlet / Outlet					
A	B	C	D	E	F	G	H	I	J	K	L
153	138	346	80	100	Ø7(x4)	107	202	150	153	68	N/A

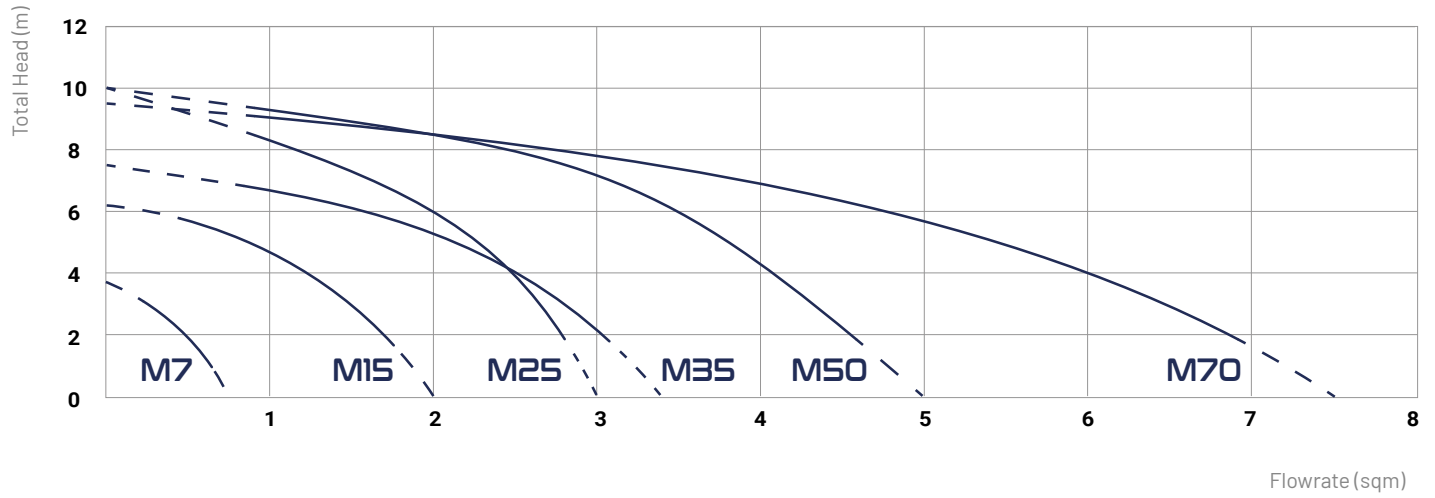


	Grooved nozzle		Union nut		Flanges			
	Y	Z	Y	Z	Y	Z	X	V
Entrée	65	Ø20	31.5	G1"1/4 DN20	31.5	Ø100 - DN20	Ø 75	4 x Ø12
Sortie	65	Ø20	31.5	G1"1/4 - DN20	31.5	Ø100 - DN20	Ø 75	Ø12 (x4)

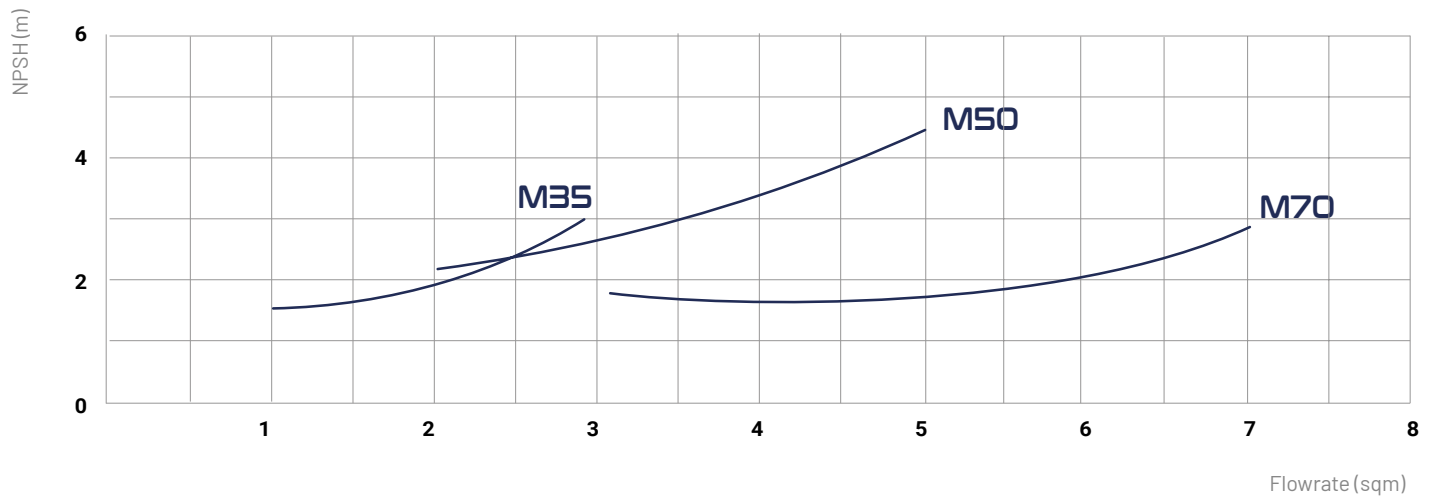
FT-SI-M-SERIES-M35-EN



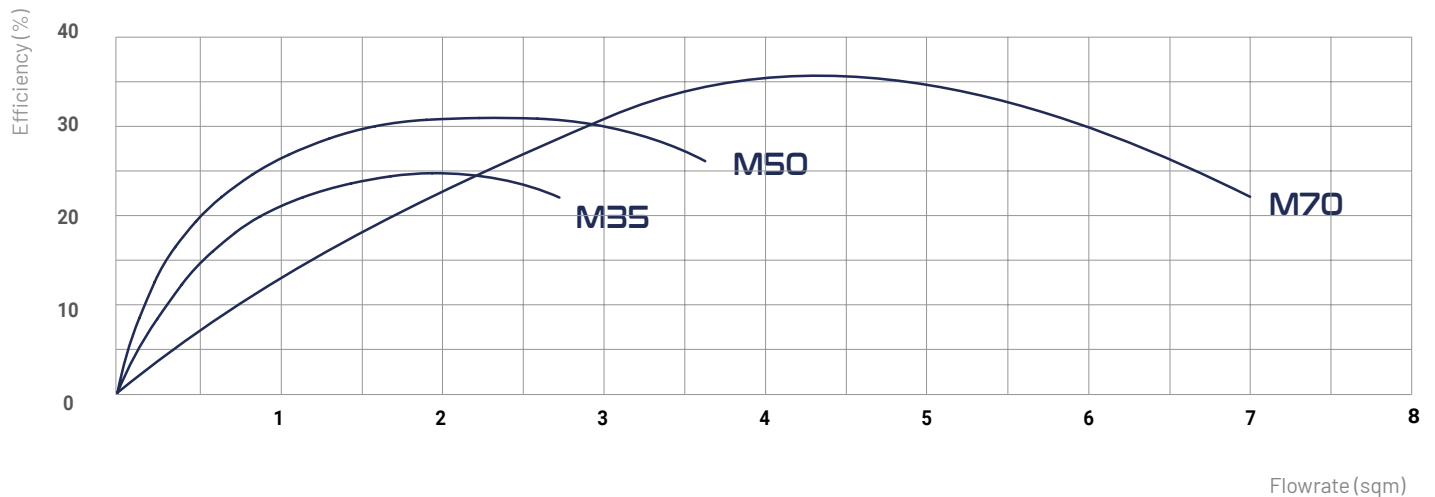
FLOWRATE CHARTS



NPSH CHART



EFFICIENCY CHART



FT-SI-M-SERIES-M35-EN



SIEBEC MAGNETIC DRIVE PUMPS

M SERIES



	Flowrate (m ³ /h)	Total Head (m)	Power (kW)	Density	Power supply (V)
M7	0.7	4	0.01	1.2	230 Single-phase
M15	2	6	0.045	1.2	230 Single-phase
M25	3	7	0.12	1.1	230 Single-phase
M35	3	10	0.18	1.4	230 Single-phase
M50	5	10	0.18	1.2	230 Single-phase
M70	7	9.5	0.25	1.2	230 Single-phase
M100	10	18	0.75	1.5	230 / 400 Three-phase
M140	16	19	1.1	1.5	230 / 400 Three-phase
M200	21	20	1.1	1.5	230 / 400 Three-phase
M250	26	19	1.5	1.2	230 / 400 Three-phase
M290	31.5	21.5	2.2	1.5	230 / 400 Three-phase
M390	43	22	3	1.3	230 / 400 Three-phase

FT-SI-M-SERIES-M35-EN

