**Flowrate**3 m³/h**Total Head**

7 m

Power

0.12 kW

Horizontal magnetic drive pump for the transfer of corrosive fluids

APPLICATIONS

Corrosive fluids
Dense fluids
Bath transfer

ADVANTAGES

Great efficiency
Acid and alkali resistant
Galvanic bath transfer

CONNECTION

Union nut
Grooved nozzle
Flanges

SPECIFICATION**Hydraulic performances**

Max flow rate (m ³ /h)	3
Total head (m)	7
Max temperature (°C)	80 (PP)
Density	< 1.1

Motor

Standard	N/A
Power supply (V)	230 1ph
Power (kW)	0.12
Frequency (Hz)	50 - 60
Rotation speed (rpm)	3000

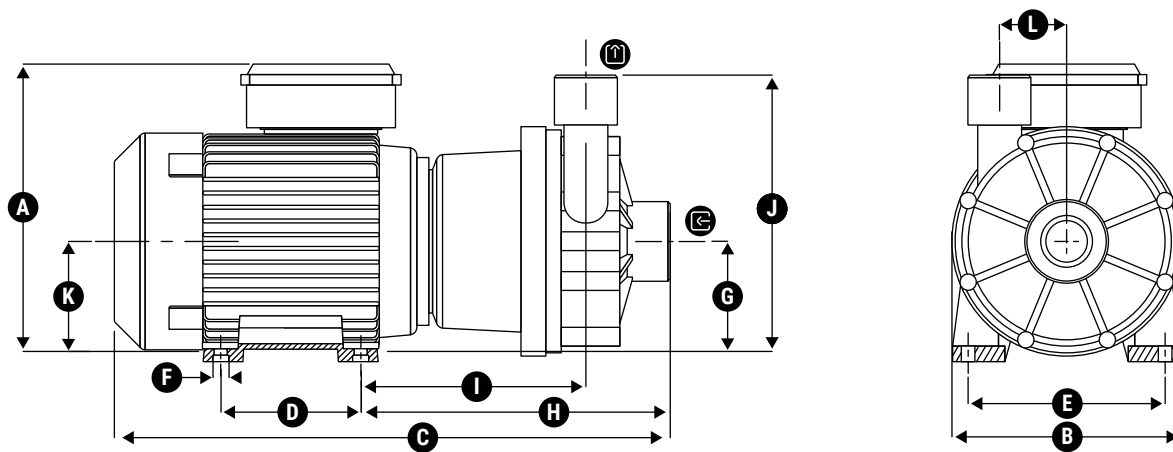
Design

Technology	Entrainement magnétique
Available materials	Polypropylène (PP)
Seals	Ceramic / ceramic or graphite / ceramic
Gaskets	EPDM (PP) FPM (PP - PVDF)

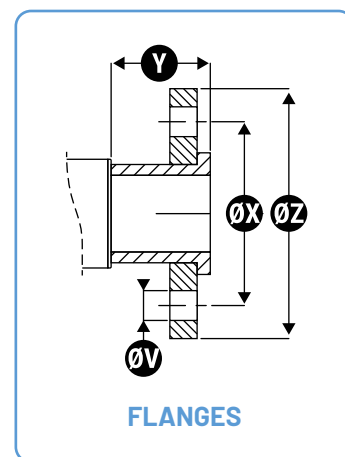
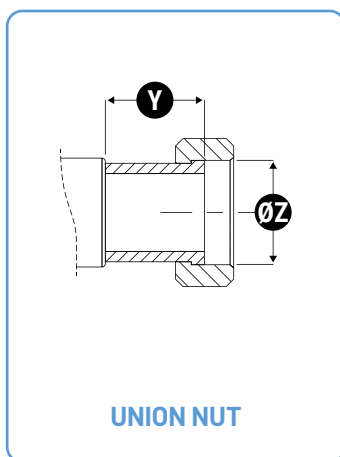
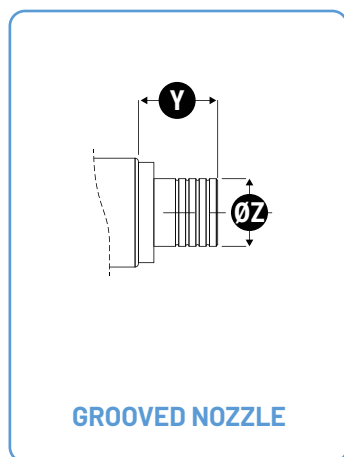


DIMENSIONS

Units : mm



Outline dimensions			Fixation			Inlet / Outlet					
A	B	C	D	E	F	G	H	I	J	K	L
163	154.5	265.75	90	0	Ø6(x4)	56	145.75	105.5	163	56	N/A

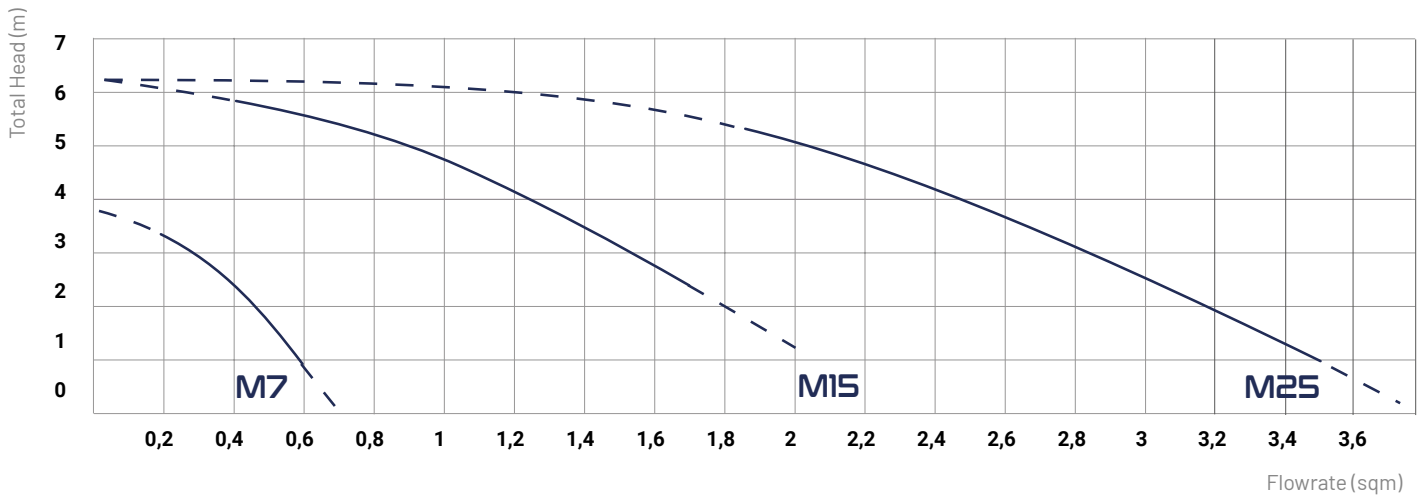


	Grooved nozzle		Union nut		Flanges			
	Y	Z	Y	Z	Y	Z	X	V
Entrée	35	Ø25	40	G1"1/4 DN20	40	Ø100 - DN20	Ø 75	4 x Ø12,5
Sortie	50	Ø25	55	G1" - DN15	55	Ø195 - DN15	Ø 65	Ø14 (x4)

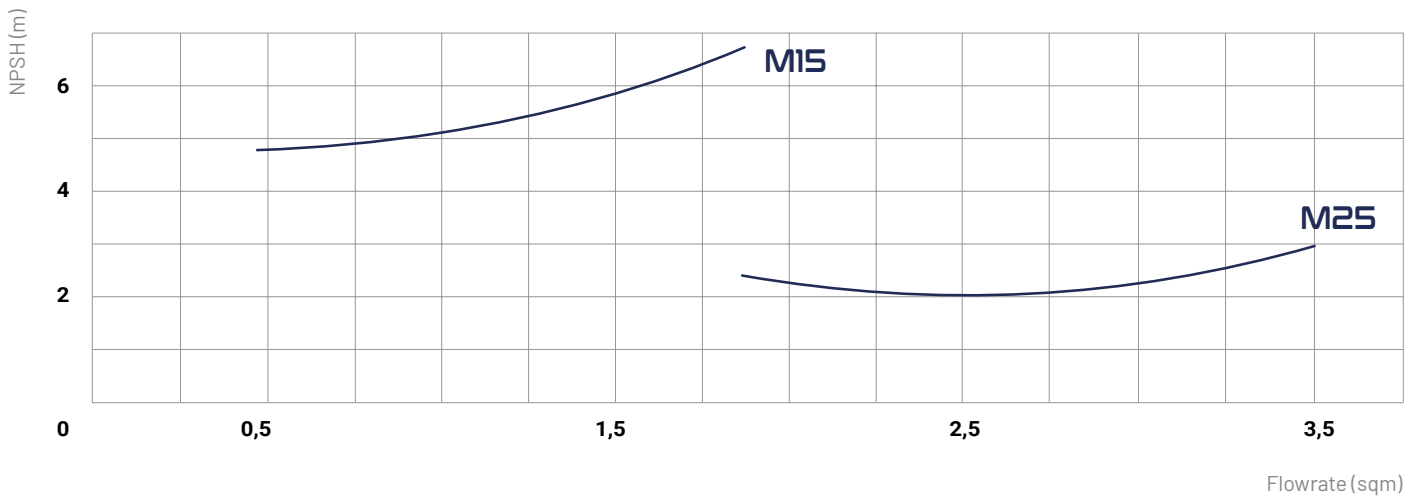
FT-SI-M-SERIES_M25-EN



FLOWRATE CHARTS



NPSH CHART



FT-SI-M-SERIES-M25-EN



SIEBEC MAGNETIC DRIVE PUMPS

M SERIES



	Flowrate (m ³ /h)	Total Head (m)	Power (kW)	Density	Power supply (V)
M7	0.7	4	0.01	1.2	230 Single-phase
M15	2	6	0.045	1.2	230 Single-phase
M25	3	7	0.12	1.1	230 Single-phase
M35	3	10	0.18	1.4	230 Single-phase
M50	5	10	0.18	1.2	230 Single-phase
M70	7	9.5	0.25	1.2	230 Single-phase
M100	10	18	0.75	1.5	230 / 400 Three-phase
M140	16	19	1.1	1.5	230 / 400 Three-phase
M200	21	20	1.1	1.5	230 / 400 Three-phase
M250	26	19	1.5	1.2	230 / 400 Three-phase
M290	31.5	21.5	2.2	1.5	230 / 400 Three-phase
M390	43	22	3	1.3	230 / 400 Three-phase

