

**Flowrate**2 m³/h**Total Head**

6 m

Power

0.045 kW

Horizontal magnetic drive pump for the transfer of corrosiv fluids

APPLICATIONS

Corrosiv fluids
Dense fluids
Bath transfer

ADVANTAGES

Great efficiency
Acid and alkali resistant
Galavanic bath transfer

CONNECTION

Union nut
Grooved nozzle

SPECIFICATION**Hydraulic performances**

Max flow rate (m ³ /h)	2
Total head (m)	6
Max temperature (°C)	80 (PP)
Density	< 1.2

Motor

Standard	N/A
Power supply (V)	230 1ph
Power (kW)	0.045
Frequency (Hz)	50 - 60
Rotation speed (rpm)	3000

Design

Technology	Magnetic drive
Available materials	Polypropylen (PP)
Seals	Ceramic / rulon
Gaskets	EPDM (PP) FPM (PP - PVDF)



SIEBEC SAS
contact@siebec.com



SIEBEC Ltd
sales@siebec.co.uk



SIEBEC S.L.
ventas@siebec.com



SIEBEC SRL
commerciale@siebec.com



SIEBEC GmbH
info@siebec.de



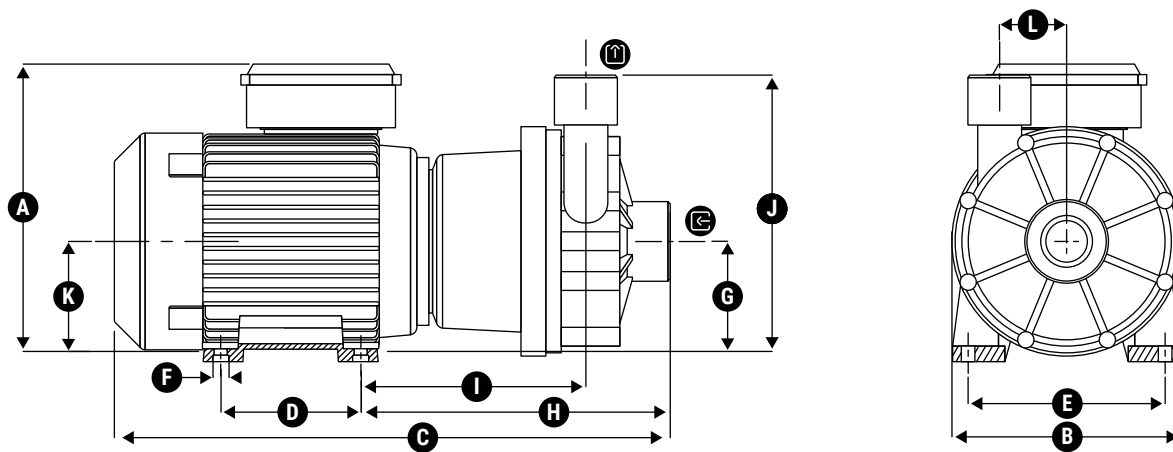
SIEBEC LDA
info.pt@siebec.com

We are here to help.
Contact us!

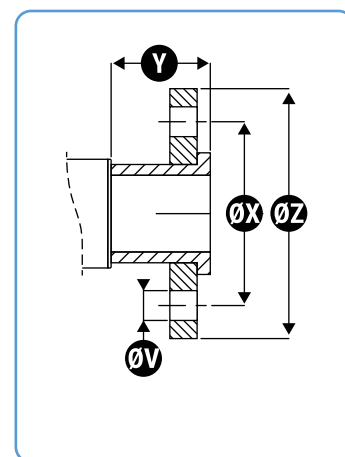
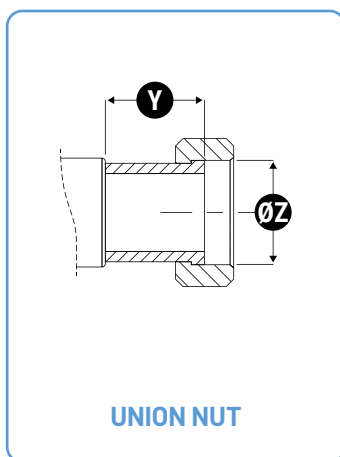
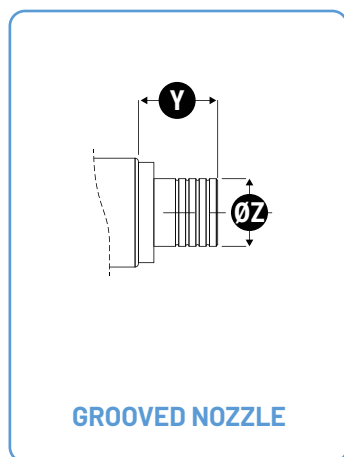


DIMENSIONS

Units : mm



Outline dimensions			Fixation			Inlet / Outlet					
A	B	C	D	E	F	G	H	I	J	K	L
162	107	302.5	71	90	Ø6(x4)	56	258.5	119.5	162	56	0

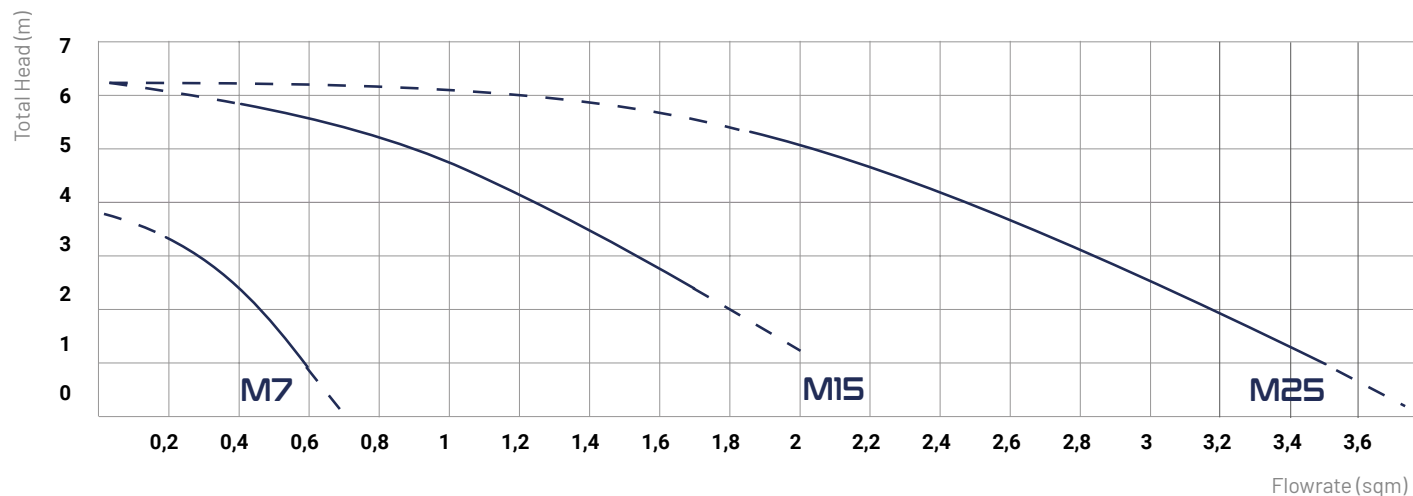


	Grooved nozzle		Union nut		Y	Z	X	V
	Y	Z	Y	Z				
Entrée	N/A	Ø20	54.5	G1" DN15	-	-	-	-
Sortie	N/A	Ø20	54.5	G1" - DN15	-	-	-	-

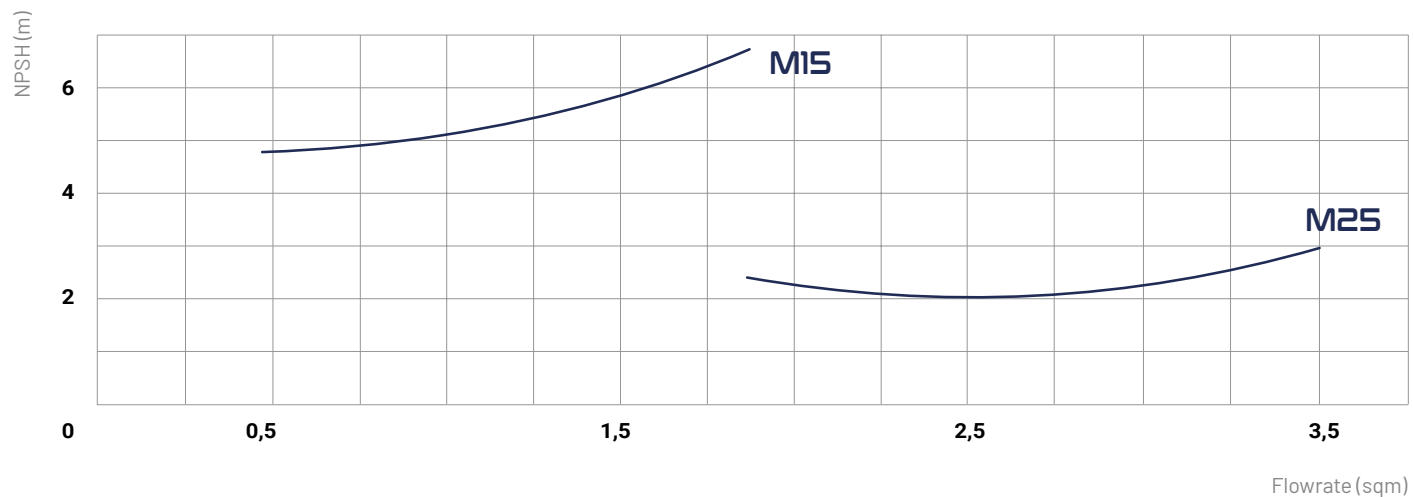
FT-SI-M-SERIES-M15-EN



FLOWRATE CHARTS



NPSH CHART



SIEBEC MAGNETIC DRIVE PUMPS

M SERIES



	Flowrate (m ³ /h)	Total Head (m)	Power (kW)	Density	Power supply (V)
M7	0.7	4	0.01	1.2	230 Single-phase
M15	2	6	0.045	1.2	230 Single-phase
M25	3	7	0.12	1.1	230 Single-phase
M35	3	10	0.18	1.4	230 Single-phase
M50	5	10	0.18	1.2	230 Single-phase
M70	7	9.5	0.25	1.2	230 Single-phase
M100	10	18	0.75	1.5	230 / 400 Three-phase
M140	16	19	1.1	1.5	230 / 400 Three-phase
M200	21	20	1.1	1.5	230 / 400 Three-phase
M250	26	19	1.5	1.2	230 / 400 Three-phase
M290	31.5	21.5	2.2	1.5	230 / 400 Three-phase
M390	43	22	3	1.3	230 / 400 Three-phase

