**Flowrate**10 m³/h**Total Head**

30 m

Power

1.5 kW

Horizontal mechanical seal pump for transferring non-corrosive fluids

⚠ WARNING
CORROSIVE LIQUIDS PROHIBITED

APPLICATIONS

Viscous fluids

Dense fluids

Bath transfer

Circulation in ion exchange resin / activated carbon

ADVANTAGES

Protection strainer

Self-priming

Great efficiency

Economic pump

Pumping of viscous fluids up to 45 cSt.

Lifting of effluents up to 30 meters high

CONNECTION

Union nut

SPECIFICATION**Hydraulic performances**

Max flow rate (m ³ /h)	10
Total head (m)	30
Max temperature (°C)	75
Density	45 cSt

Motor

Standard	IE3
Power supply (V)	230 Single-phase or 230/400 Three-phase
Power (kW)	1.5
Frequency (Hz)	50 - 60
Rotation speed (rpm)	3000

Design

Technology	Two-stage mechanical seal
Available materials	Polypropylene (PP) 316L
Seals	Carbide/Carbide
Gaskets	NBR (PP)



SIEBEC SAS
contact@siebec.com



SIEBEC Ltd
sales@siebec.co.uk



SIEBEC S.L.
ventas@siebec.com



SIEBEC SRL
commerciale@siebec.com



SIEBEC GmbH
info@siebec.de



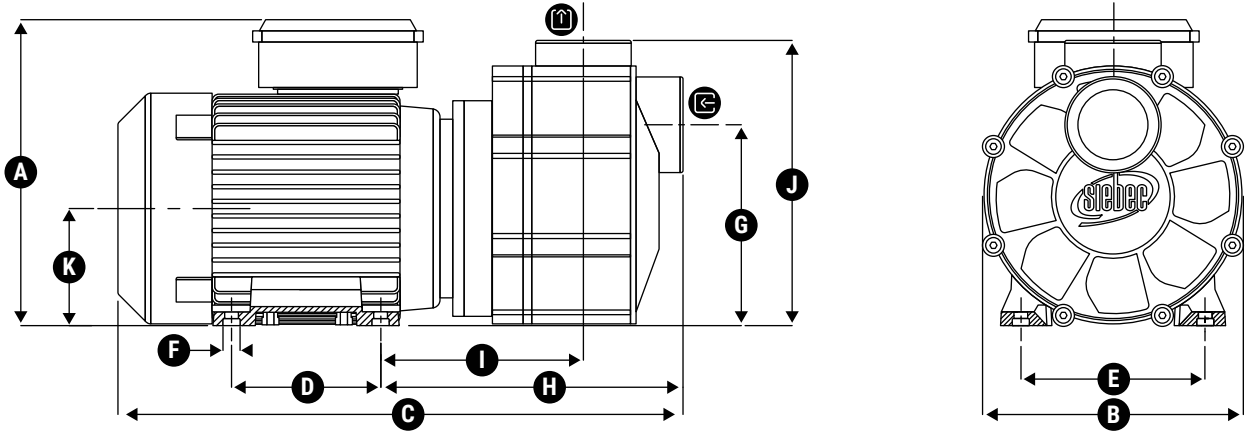
SIEBEC LDA
info.pt@siebec.com

We are here to help.
Contact us!

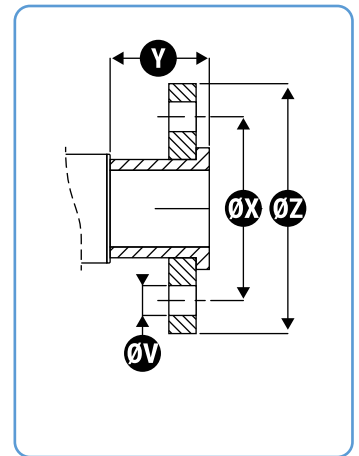
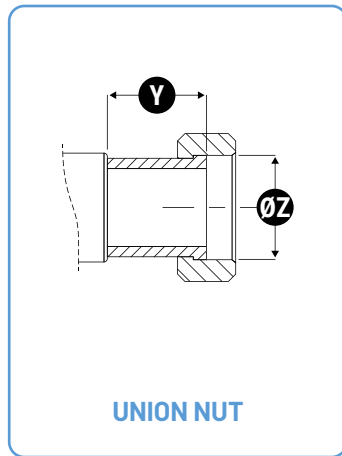
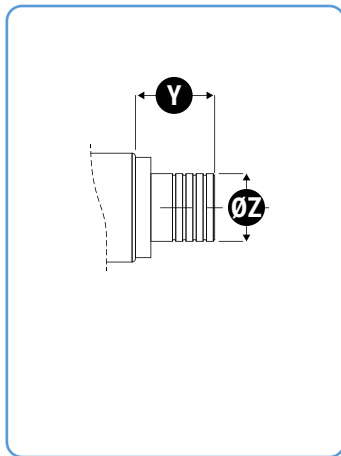


DIMENSIONS

Units : mm



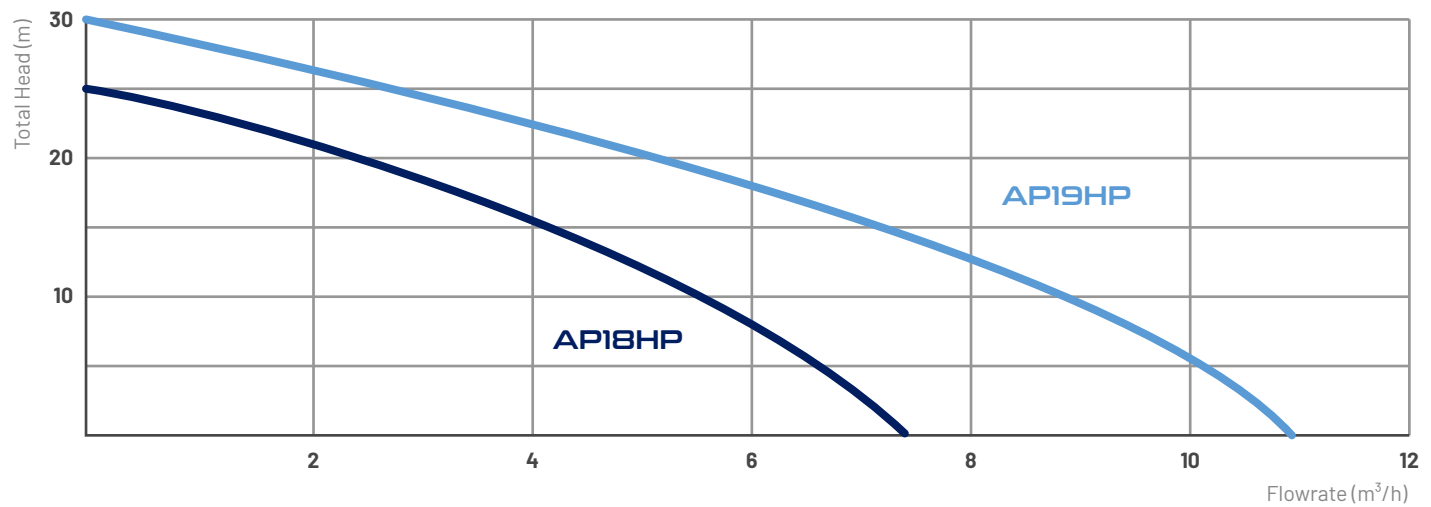
Outline dimensions			Fixation			Inlet / Outlet					
A	B	C	D	E	F	G	H	I	J	K	L
200	190	446	100	125	Ø10 (x4)	137	254	126	188	-	-



			Union nut					
	Y	Z	Y	Z	Y	Z	X	V
Entrée	-	-	-	G2"1/4	-	-	-	-
Sortie	-	-	-	G2"	-	-	-	-



FLOWRATE CHARTS



FT-SI-A-SERIES-AP19HP-EN

MECHANICAL SEALS SIEBEC PUMPS

A SERIES
CORROSIVE LIQUID-COMPATIBLE MODELS



	Flowrate (m ³ /h)	Total Head (m)	Power (kW)	Density	Power supply (V)
A15	4,8	9	0.18	< 1.2	230/400 Three-phase
A18	10	18	0.75	< 1.8	230/400 Three-phase
A19	14	19	1.1	< 1.7	230/400 Three-phase
A27	31,5	22	2.2	< 1.4	230/400 Three-phase
A30	43	22	4	< 1.6	230/400 Three-phase
A31P	52	32	5,5 - 7,5	< 1,1 - 1,5	230/400 Three-phase
A32P	57	41	7,2	< 1	230/400 Three-phase
A33P	48	36	4 - 5,5	< 1 - 1,25	230/400 Three-phase
A32	58	46,5	7,5	< 1	230/400 Three-phase

⚠ WARNING
NON-COMPATIBLE MODELS FOR CORROSIVE LIQUIDS



	Flowrate (m ³ /h)	Total Head (m)	Power (kW)	Viscosity	Power supply (V)
AP18	10	16	0.55	15 cSt	230 Single-phase or 230/400 Three-phase
AP19	12.5	17,5	1.1	15 cSt	230 Single-phase or 230/400 Three-phase
AP18HP	7,5	24	1,1kW (de 1 cSt à 45 cSt)	45 cSt	230 Single-phase or 230/400 Three-phase
AP19HP	10	30	1,1kW pour de l'eau 1,5kW pour de l'huile jusqu'à 45 cSt	45 cSt	230 Single-phase or 230/400 Three-phase

FT-SI-A-SERIES-AP19HP-EN

