

**Flowrate**10 m³/h**Total Head**

16 m

Power

0.55 kW

Horizontal mechanical seal pump for transferring non-corrosive fluids

⚠ WARNING
CORROSIVE LIQUIDS PROHIBITED

APPLICATIONS

Viscous fluids
Dense fluids
Bath transfer
Circulation in ion exchange resin / activated carbon

ADVANTAGES

Protection strainer
Self-priming
Great efficiency
Economic pump
Pumping of viscous fluids up to 15 cSt.
Lifting of effluents up to 17 meters high

CONNECTION

Union nut

SPECIFICATION**Hydraulic performances**

Max flow rate (m ³ /h)	10
Total head (m)	16
Max temperature (°C)	75
Density	15 cSt

Motor

Standard	IE3
Power supply (V)	230 Single-phase or 230/400 Three-phase
Power (kW)	0.55
Frequency (Hz)	50 - 60
Rotation speed (rpm)	3000

Design

Technology	Mechanical seals
Available materials	Polypropylene (PP) 316L
Seals	Carbide/Carbide
Gaskets	NBR (PP)



SIEBEC SAS
contact@siebec.com



SIEBEC Ltd
sales@siebec.co.uk



SIEBEC S.L.
ventas@siebec.com



SIEBEC SRL
commerciale@siebec.com



SIEBEC GmbH
info@siebec.de



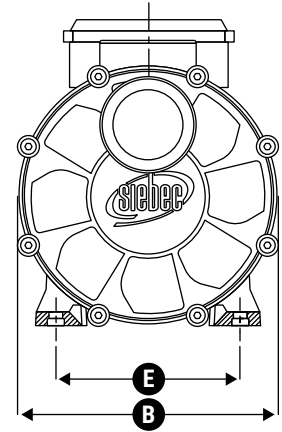
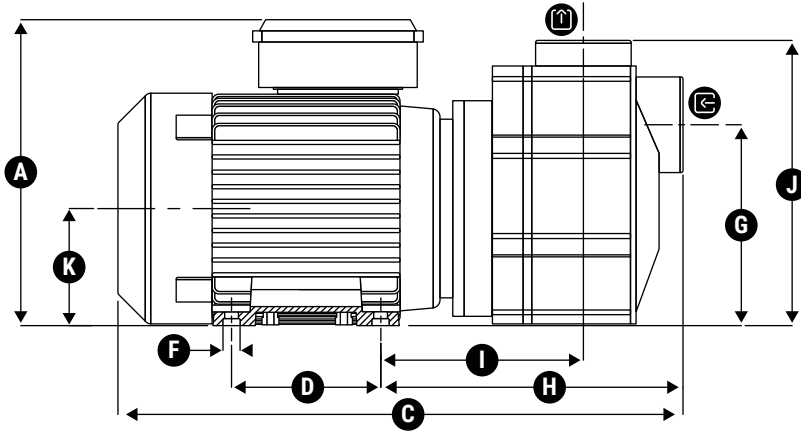
SIEBEC LDA
info.pt@siebec.com

We are here to help.
Contact us!

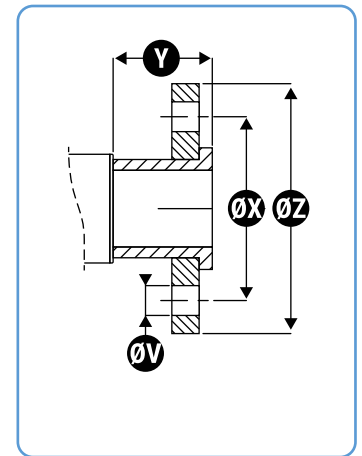
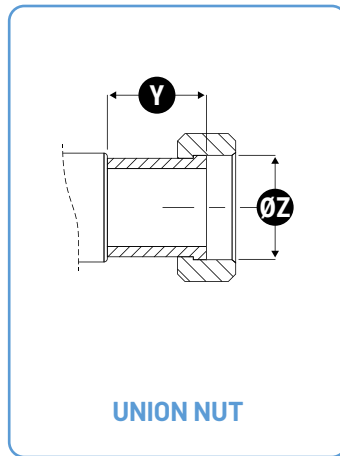
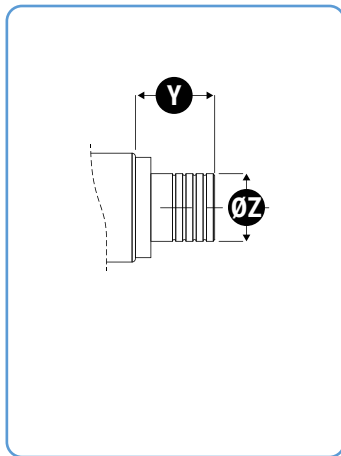


DIMENSIONS

Units : mm



Outline dimensions			Fixation			Inlet / Outlet					
A	B	C	D	E	F	G	H	I	J	K	L
190	176	367	135	125	Ø9(x4)	138	254	110	196	-	-

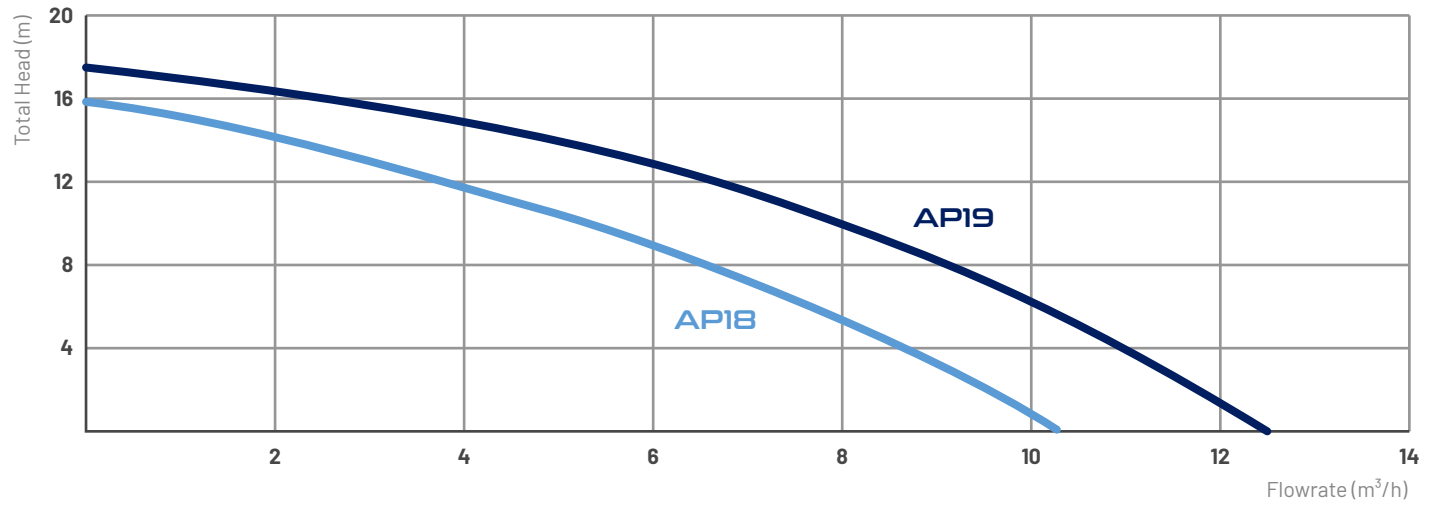


			Union nut					
	Y	Z	Y	Z	Y	Z	X	V
Entrée	-	-	-	G2"1/4	-	-	-	-
Sortie	-	-	-	G2"	-	-	-	-





FLOWRATE CHARTS



SIEBEC SAS
contact@siebec.com



SIEBEC Ltd
sales@siebec.co.uk



SIEBEC S.L.
ventas@siebec.com



SIEBEC SRL
commerciale@siebec.com



SIEBEC GmbH
info@siebec.de



SIEBEC LDA
info.pt@siebec.com

We are here to help.
Contact us!



MECHANICAL SEALS SIEBEC PUMPS

A SERIES

CORROSIVE LIQUID-COMPATIBLE MODELS



	Flowrate (m ³ /h)	Total Head (m)	Power (kW)	Density	Power supply (V)
A15	4,8	9	0.18	< 1.2	230/400 Three-phase
A18	10	18	0.75	< 1.8	230/400 Three-phase
A19	14	19	1.1	< 1.7	230/400 Three-phase
A27	31,5	22	2.2	< 1.4	230/400 Three-phase
A30	43	22	4	< 1.6	230/400 Three-phase
A31P	52	32	5,5 - 7,5	< 1,1 - 1,5	230/400 Three-phase
A32P	57	41	7,2	< 1	230/400 Three-phase
A33P	48	36	4 - 5,5	< 1 - 1,25	230/400 Three-phase
A32	58	46,5	7,5	< 1	230/400 Three-phase

⚠ WARNING
NON-COMPATIBLE MODELS FOR CORROSIVE LIQUIDS



	Flowrate (m ³ /h)	Total Head (m)	Power (kW)	Viscosity	Power supply (V)
AP18	10	16	0.55	15 cSt	230 Single-phase or 230/400 Three-phase
AP19	12.5	17,5	1.1	15 cSt	230 Single-phase or 230/400 Three-phase
AP18HP	7,5	24	1,1kW (de 1 cSt à 45 cSt)	45 cSt	230 Single-phase or 230/400 Three-phase
AP19HP	10	30	1,1kW pour de l'eau 1,5kW pour de l'huile jusqu'à 45 cSt	45 cSt	230 Single-phase or 230/400 Three-phase

