

**Flowrate**48 m³/h**Total Head**

36 m

Power

4 - 5.5 kW

Horizontal mechanical seals pump
for the transfer of corrosive fluids

APPLICATIONS

Corrosive fluids
Dense fluids
Bath transfer

ADVANTAGES

Great efficiency
Acid and alkali resistant
Galvanic bath transfer

CONNECTION

Union nut
Threaded
Grooved nozzle
Flanges

SPECIFICATION**Hydraulic performances**

Max flow rate (m ³ /h)	48
Total head (m)	36
Max temperature (°C)	80 (PP)
Density	<1 - 1,25

Motor

Standard	IE3
Power supply (V)	230/400 Three-phase
Power (kW)	4 - 5.5
Frequency (Hz)	50 - 60
Rotation speed (rpm)	3000

Design

Technology	Mechanical seals
Available materials	Polypropylene (PP)
Seals	carbide/carbide (other on request)
Gaskets	EPDM (PP) FPM (PP)



SIEBEC SAS
contact@siebec.com



SIEBEC Ltd
sales@siebec.co.uk



SIEBEC S.L.
ventas@siebec.com



SIEBEC SRL
commerciale@siebec.com



SIEBEC GmbH
info@siebec.de



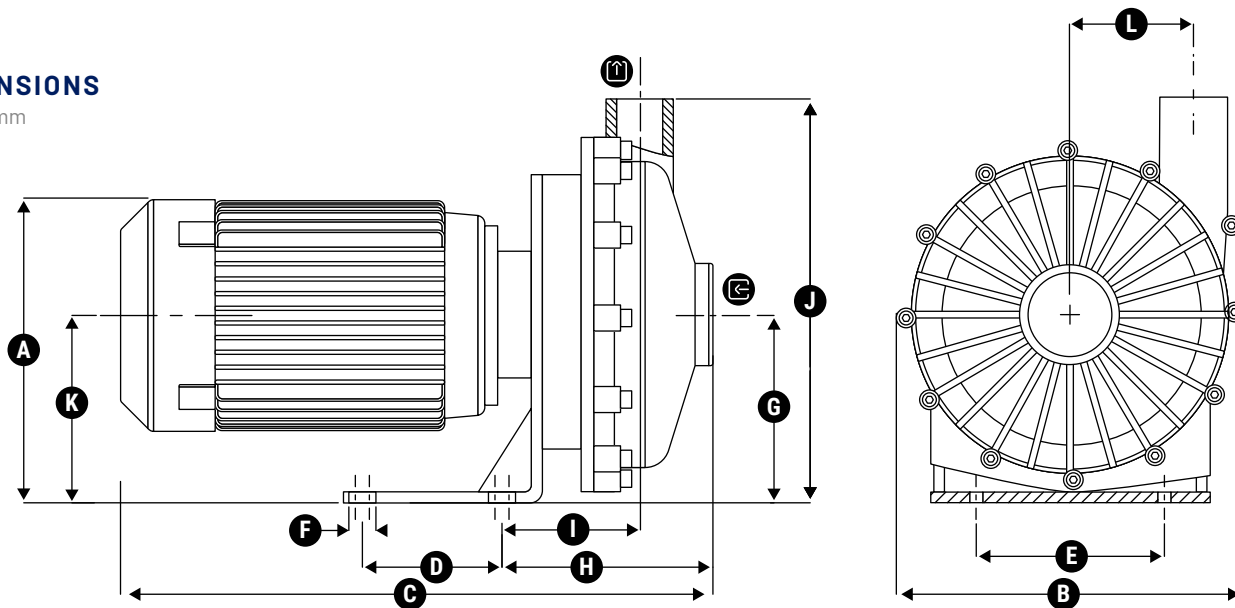
SIEBEC LDA
info.pt@siebec.com

We are here to help.
Contact us!

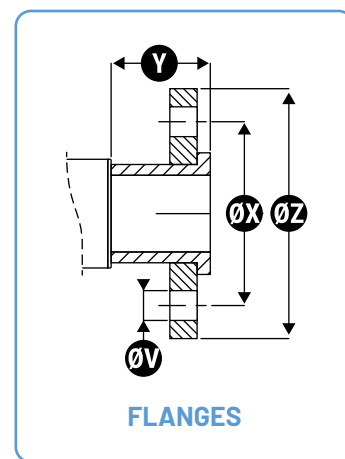
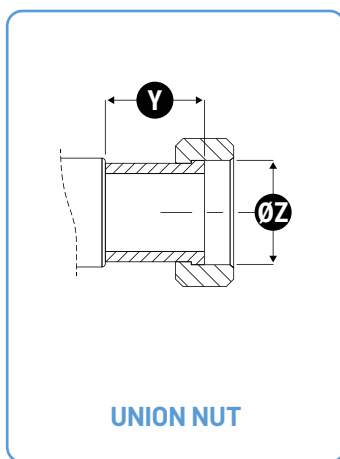
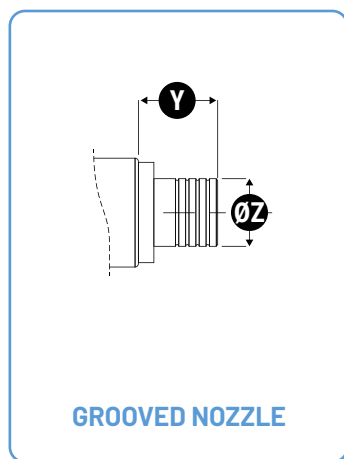


DIMENSIONS

Units : mm



Outline dimensions			Fixation			Inlet / Outlet					
A	B	C	D	E	F	G	H	I	J	K	L
<J	288	545	130	175	Ø12 (x4)	175	194	130	375	175	114.5

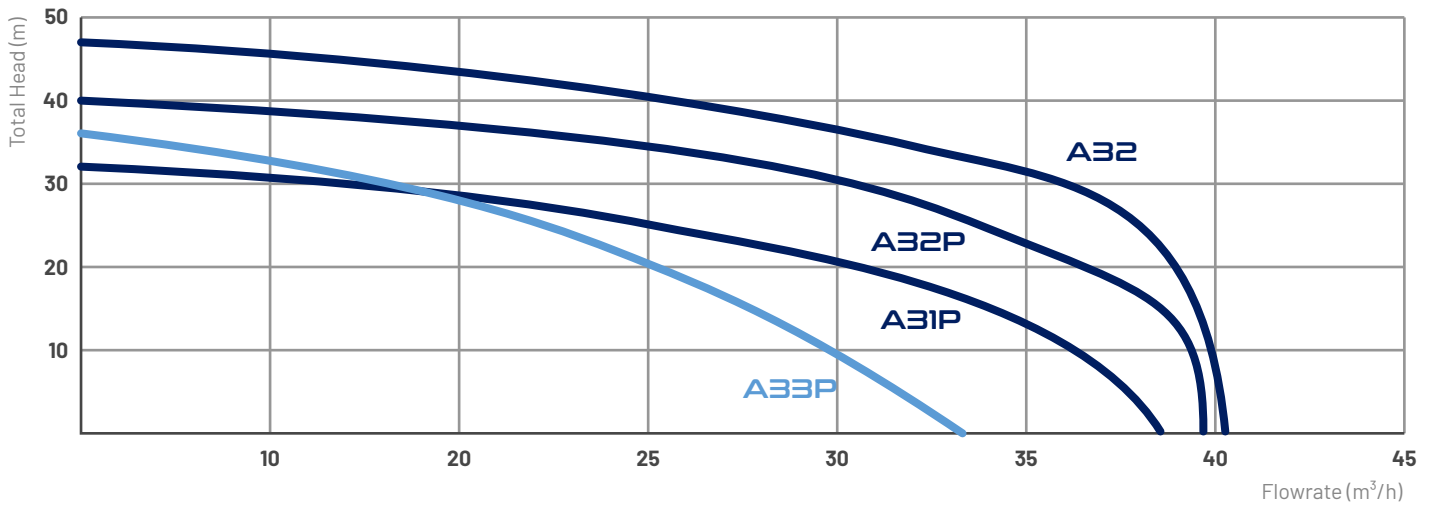


	Grooved nozzle		Union nut		Flanges			
	Y	Z	Y	Z	Y	Z	X	V
Entrée	-	-	33	TR 108X5 DN65	75	185	144	Ø18 (x4)
Sortie	-	-	7	G2° 3/4 DN52	5	165	125	Ø18 (x4)

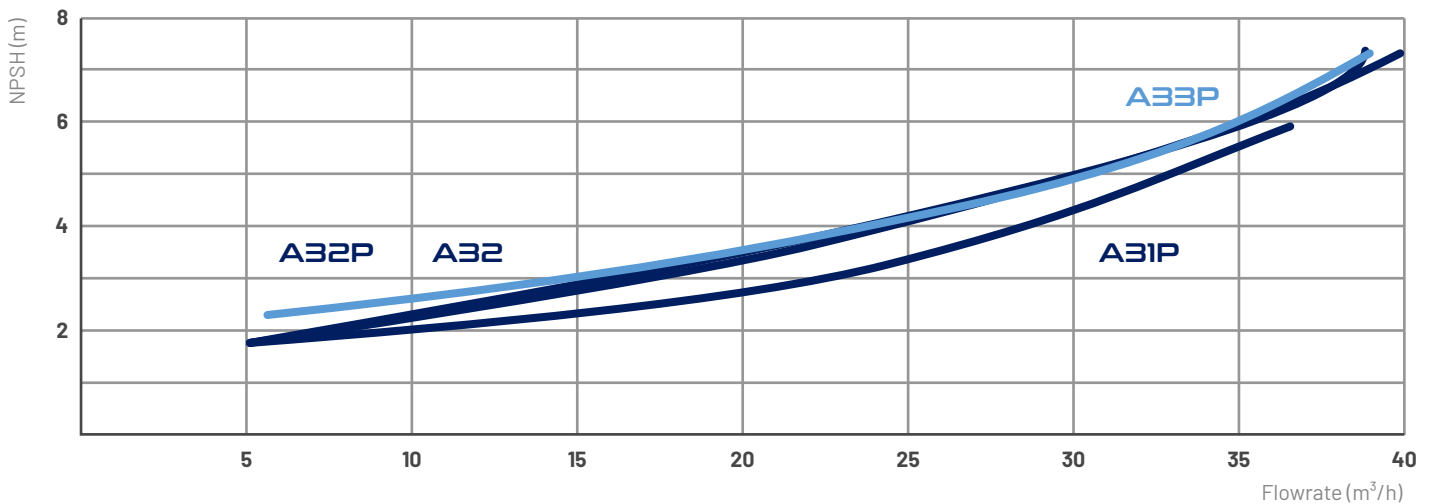
FT-SI-A-SERIES-A33P-EN



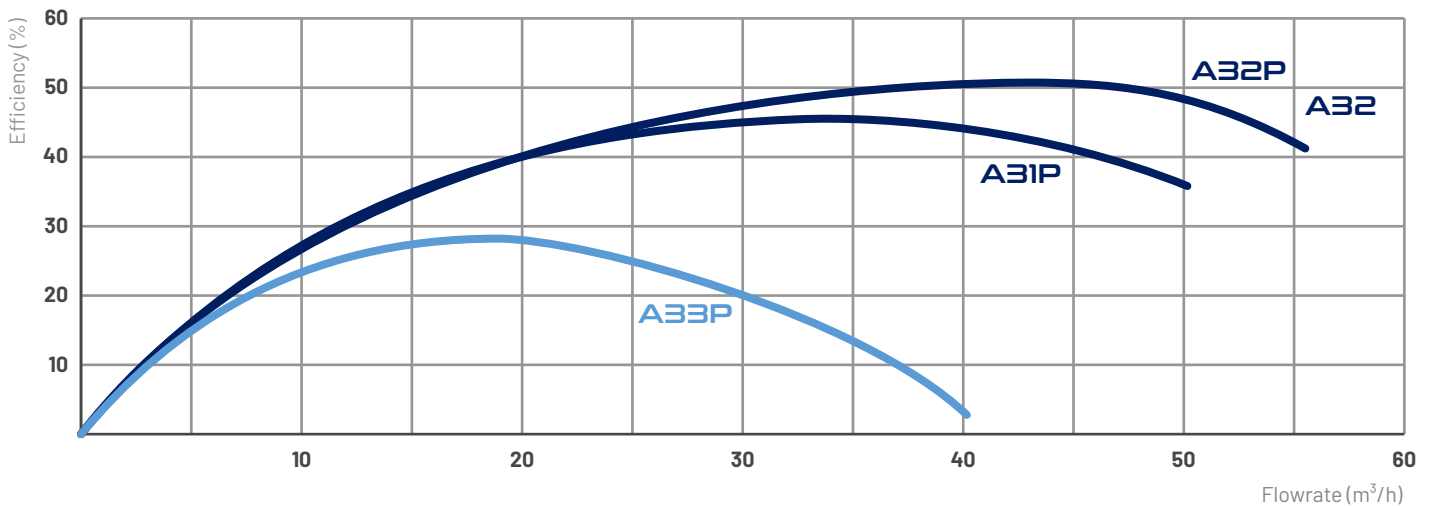
FLOWRATE CHARTS



NPSH CHART



EFFICIENCY CHART




FT-SI-A-SERIES-A33P-EN




MECHANICAL SEALS SIEBEC PUMPS

A SERIES

CORROSIVE LIQUID-COMPATIBLE MODELS

	Flowrate (m ³ /h)	Total Head (m)	Power (kW)	Density	Power supply (V)
A15	4,8	9	0.18	< 1.2	230/400 Three-phase
A18	10	18	0.75	< 1.8	230/400 Three-phase
A19	14	19	1.1	< 1.7	230/400 Three-phase
A27	31,5	22	2.2	< 1.4	230/400 Three-phase
A30	43	22	4	< 1.6	230/400 Three-phase
A31P	52	32	5,5 - 7,5	< 1,1 - 1,5	230/400 Three-phase
A32P	57	41	7,2	< 1	230/400 Three-phase
A33P	48	36	4 - 5,5	< 1 - 1,25	230/400 Three-phase
A32	58	46,5	7,5	< 1	230/400 Three-phase

⚠ WARNING
NON-COMPATIBLE MODELS FOR CORROSIVE LIQUIDS

	Flowrate (m ³ /h)	Total Head (m)	Power (kW)	Viscosity	Power supply (V)
AP18	10	16	0.55	15 cSt	230 Single-phase or 230/400 Three-phase
AP19	12.5	17,5	1.1	15 cSt	230 Single-phase or 230/400 Three-phase
AP18HP	7,5	24	1,1kW (de 1 cSt à 45 cSt)	45 cSt	230 Single-phase or 230/400 Three-phase
AP19HP	10	30	1,1kW pour de l'eau 1,5kW pour de l'huile jusqu'à 45 cSt	45 cSt	230 Single-phase or 230/400 Three-phase

