**Flowrate**58 m<sup>3</sup>/h**Total Head**

46.5 m

**Power**

7.5 kW

Horizontal mechanical seals pump  
for the transfer of corrosive fluids

**APPLICATIONS**

Corrosive fluids  
Dense fluids  
Bath transfer

**ADVANTAGES**

Great efficiency  
Acid and alkali resistant  
Galvanic bath transfer

**CONNECTION**

Union nut  
Threaded  
Grooved nozzle  
Flanges

**SPECIFICATION****Hydraulic performances**

Max flow rate (m <sup>3</sup> /h)	58
Total head (m)	46.5
Max temperature (°C)	80
Density	<1

**Motor**

Standard	IE3
Power supply (V)	230/400 Three-phase
Power (kW)	7.5
Frequency (Hz)	50 - 60
Rotation speed (tr/min)	3000

**Design**

Technology	Mechanical seals
Available materials	Ebonite coated cast iron
Seals	carbide/carbide (other on request)
Gaskets	EPDM (PP) FPM (PP)



SIEBEC SAS  
contact@siebec.com



SIEBEC Ltd  
sales@siebec.co.uk



SIEBEC S.L.  
ventas@siebec.com



SIEBEC SRL  
commerciale@siebec.com



SIEBEC GmbH  
info@siebec.de



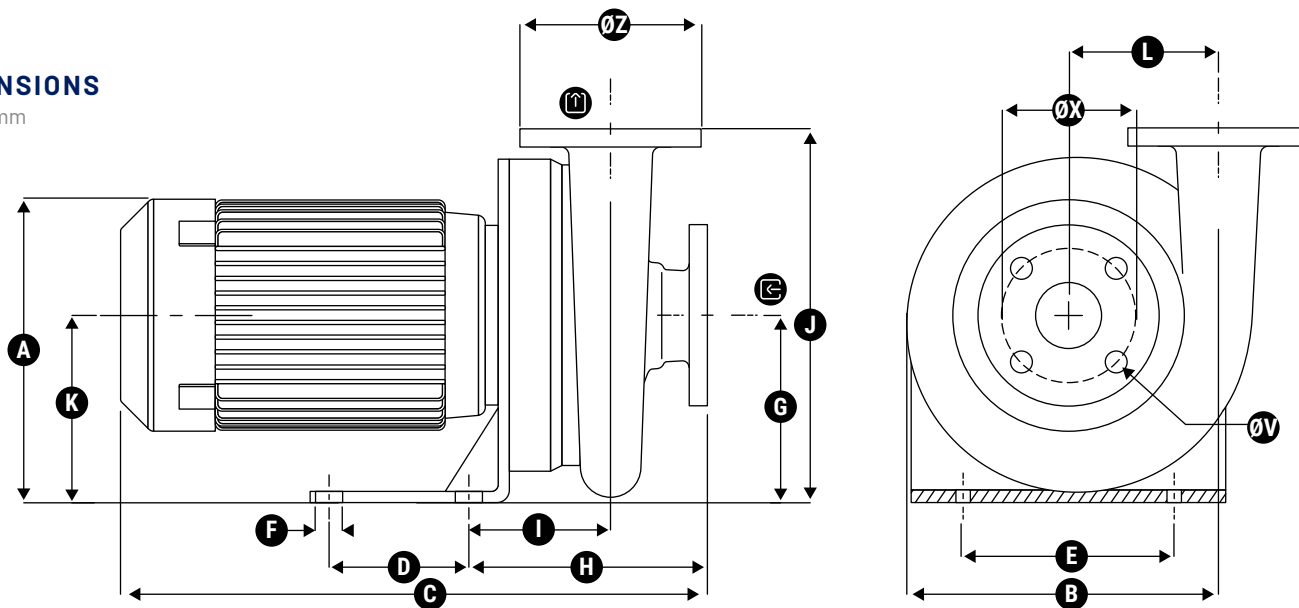
SIEBEC LDA  
info.pt@siebec.com

We are here to help.  
**Contact us!**

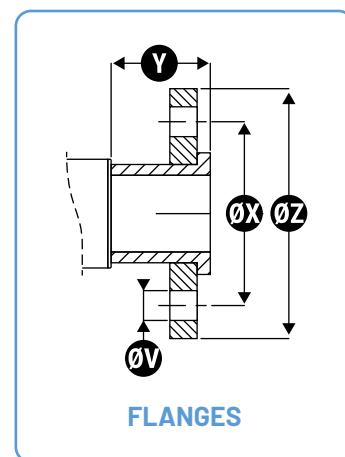
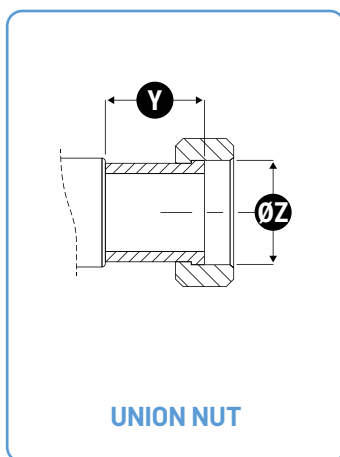
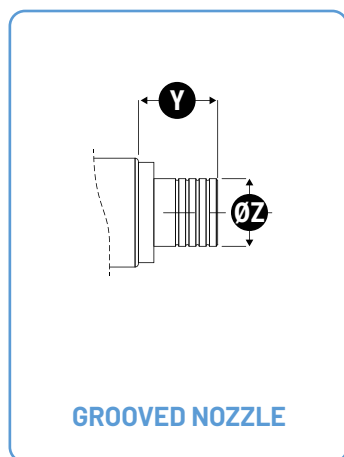


## DIMENSIONS

Units : mm



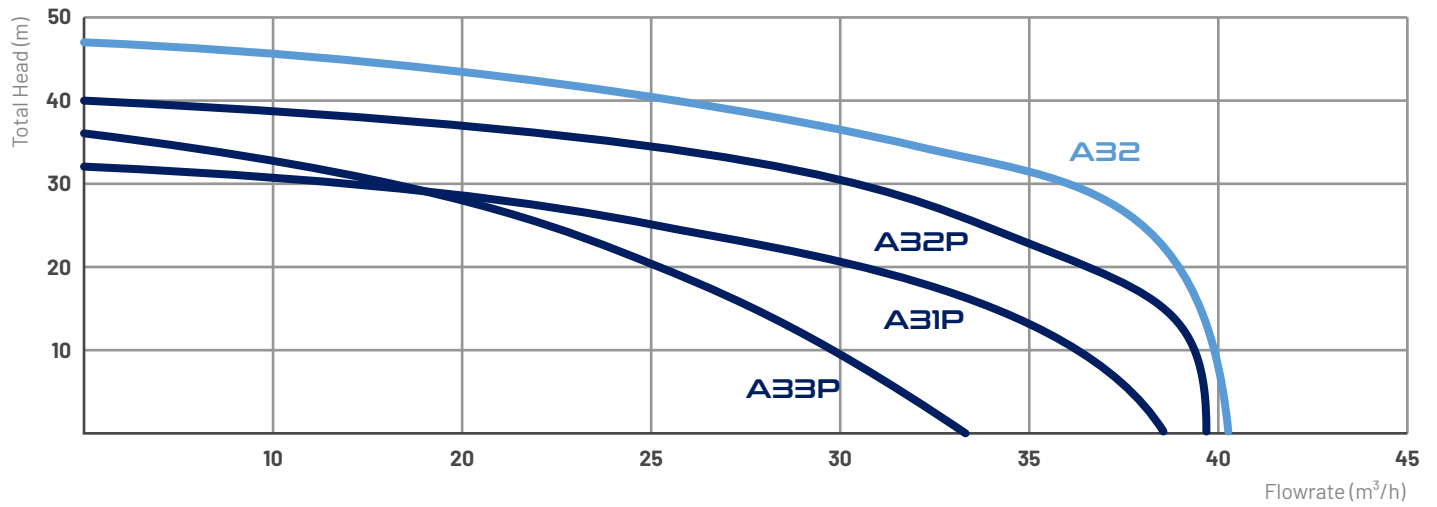
Outline dimensions			Fixation			Inlet / Outlet					
A	B	C	D	E	F	G	H	I	J	K	L
267	260	500	130	175	Ø12 (x4)	155	202	122	310	155	129



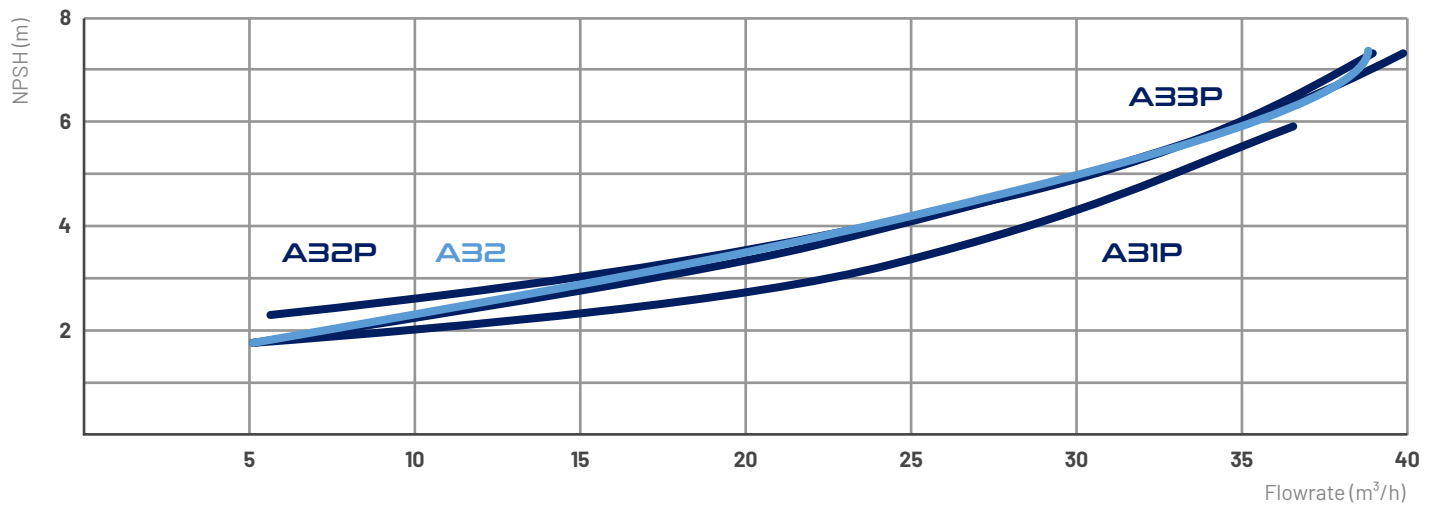
	Grooved nozzle		Union nut		Flanges			
	Y	Z	Y	Z	Y	Z	X	V
Entrée	-	-	-	-	-	150	110	Ø18
Sortie	-	-	-	-	-	150	110	Ø18



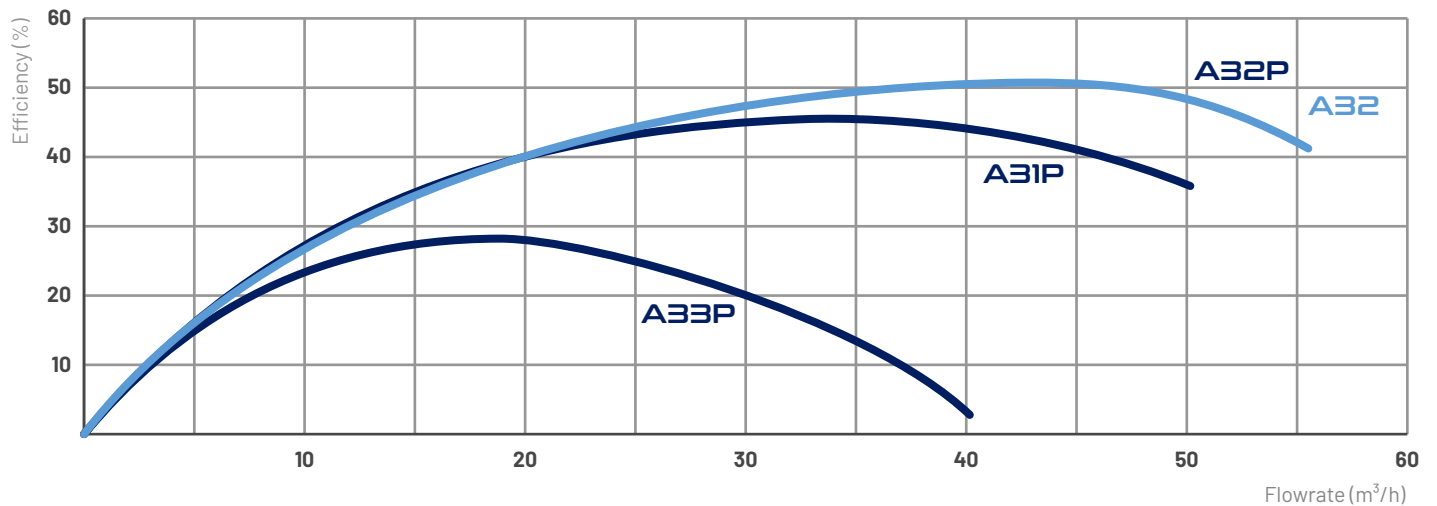
## FLOWRATE CHARTS



## NPSH CHART



## EFFICIENCY CHART



FT-SI-A-SERIES-A32-EN



## MECHANICAL SEALS SIEBEC PUMPS

## A SERIES

## CORROSIVE LIQUID-COMPATIBLE MODELS



	Flowrate (m <sup>3</sup> /h)	Total Head (m)	Power (kW)	Density	Power supply (V)
A15	4,8	9	0.18	< 1.2	230/400 Three-phase
A18	10	18	0.75	< 1.8	230/400 Three-phase
A19	14	19	1.1	< 1.7	230/400 Three-phase
A27	31,5	22	2.2	< 1.4	230/400 Three-phase
A30	43	22	4	< 1.6	230/400 Three-phase
A31P	52	32	5,5 - 7,5	< 1,1 - 1,5	230/400 Three-phase
A32P	57	41	7,2	< 1	230/400 Three-phase
A33P	48	36	4 - 5,5	< 1 - 1,25	230/400 Three-phase
A32	58	46,5	7,5	< 1	230/400 Three-phase

**⚠ WARNING**  
NON-COMPATIBLE MODELS FOR CORROSIVE LIQUIDS



	Flowrate (m <sup>3</sup> /h)	Total Head (m)	Power (kW)	Viscosity	Power supply (V)
AP18	10	16	0.55	15 cSt	230 Single-phase or 230/400 Three-phase
AP19	12.5	17,5	1.1	15 cSt	230 Single-phase or 230/400 Three-phase
AP18HP	7,5	24	1,1kW (de 1 cSt à 45 cSt)	45 cSt	230 Single-phase or 230/400 Three-phase
AP19HP	10	30	1,1kW pour de l'eau 1,5kW pour de l'huile jusqu'à 45 cSt	45 cSt	230 Single-phase or 230/400 Three-phase

