

**Flowrate**57 m³/h**Total Head**

41 m

Power

7200 W

Horizontal mechanical seals pump
for the transfer of corrosive fluids

APPLICATIONS

Corrosive fluids
Dense fluids
Bath transfer

ADVANTAGES

Great efficiency
Acid and alkali resistant
Galvanic bath transfer

CONNECTION

Union nut
Threaded
Grooved nozzle
Flanges

SPECIFICATION**Hydraulic performances**

Max flow rate (m ³ /h)	57
Total head (m)	41
Max temperature (°C)	80 (PP)
Density	< 1

Motor

Standard	IE3
Power supply (V)	230/400 Three-phase
Power (W)	7200
Frequency (Hz)	50 - 60
Rotation speed (rpm)	3000 - 3600

Design

Technology	Mechanical seals
Available materials	Polypropylene (PP)
Seals	carbide/carbide (other on request)
Gaskets	EPDM (PP) FPM (PP)



SIEBEC SAS
contact@siebec.com



SIEBEC Ltd
sales@siebec.co.uk



SIEBEC S.L.
ventas@siebec.com



SIEBEC SRL
commerciale@siebec.com



SIEBEC GmbH
info@siebec.de



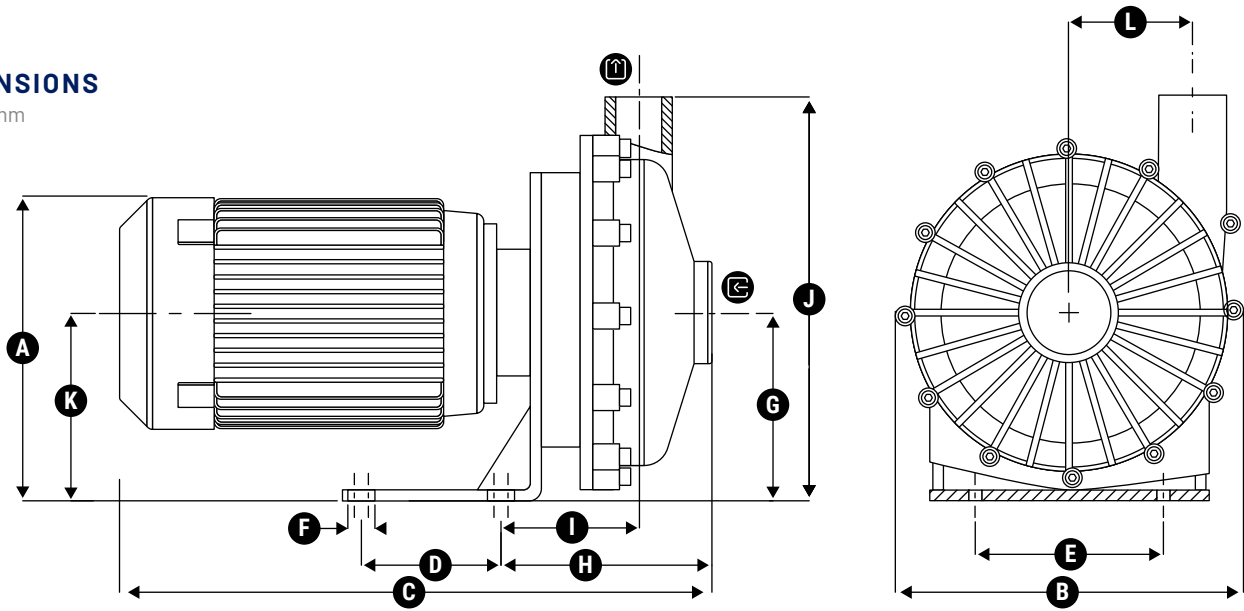
SIEBEC LDA
info.pt@siebec.com

We are here to help.
Contact us!

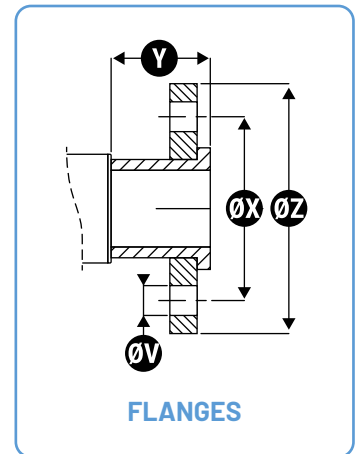
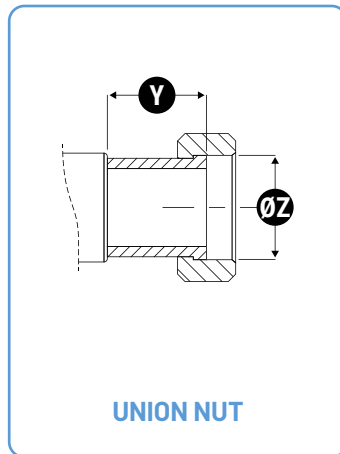
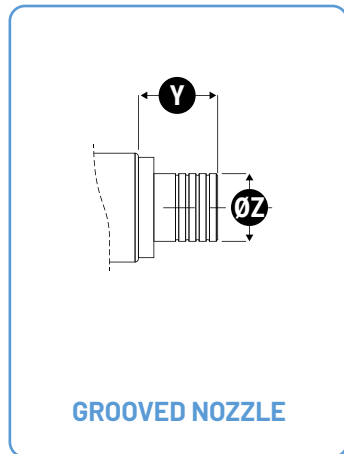


DIMENSIONS

Units : mm



Outline dimensions			Fixation			Inlet / Outlet					
A	B	C	D	E	F	G	H	I	J	K	L
<J	288	524	130	175	Ø12 (x4)	175	194	130	375	175	114.5

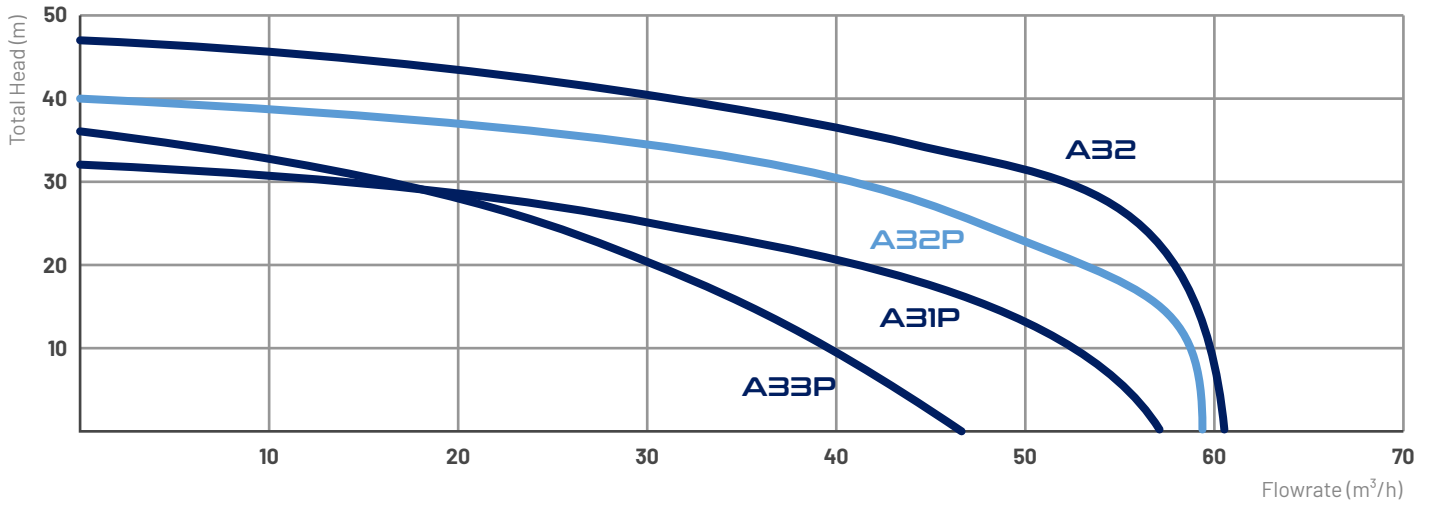


	Grooved nozzle		Union nut		Flanges			
	Y	Z	Y	Z	Y	Z	X	V
Entrée	-	-	32	TR 108X5 DN65	75	185	144	Ø18 (x4)
Sortie	-	-	6	G2" 3/4 DN51	5	165	125	Ø18 (x4)

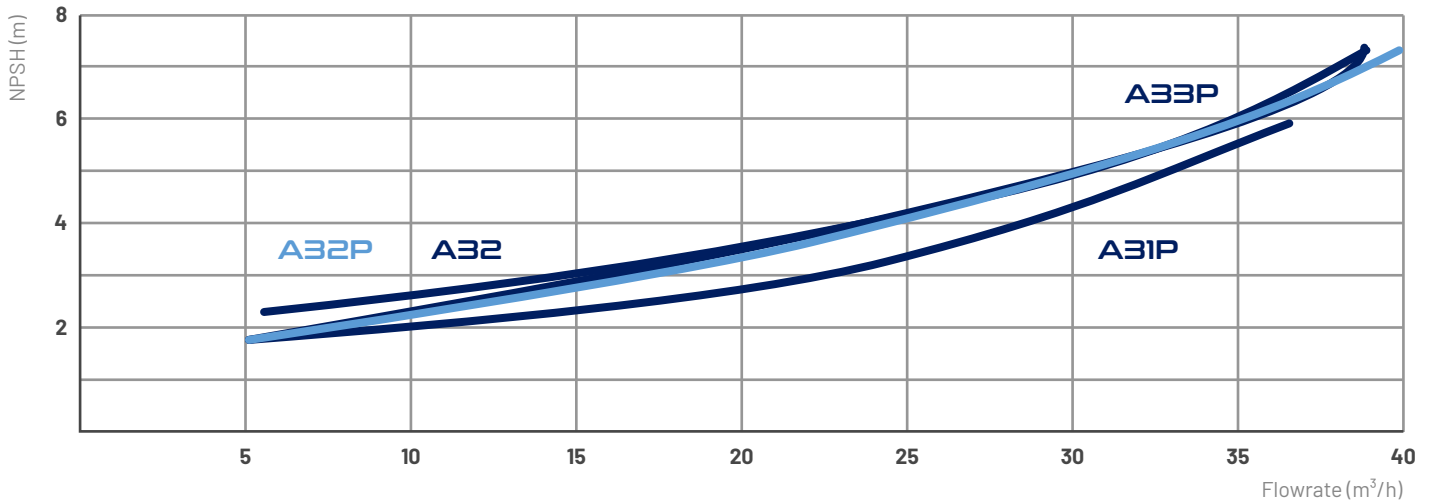
FT-SI-A-SERIES-A32P-EN



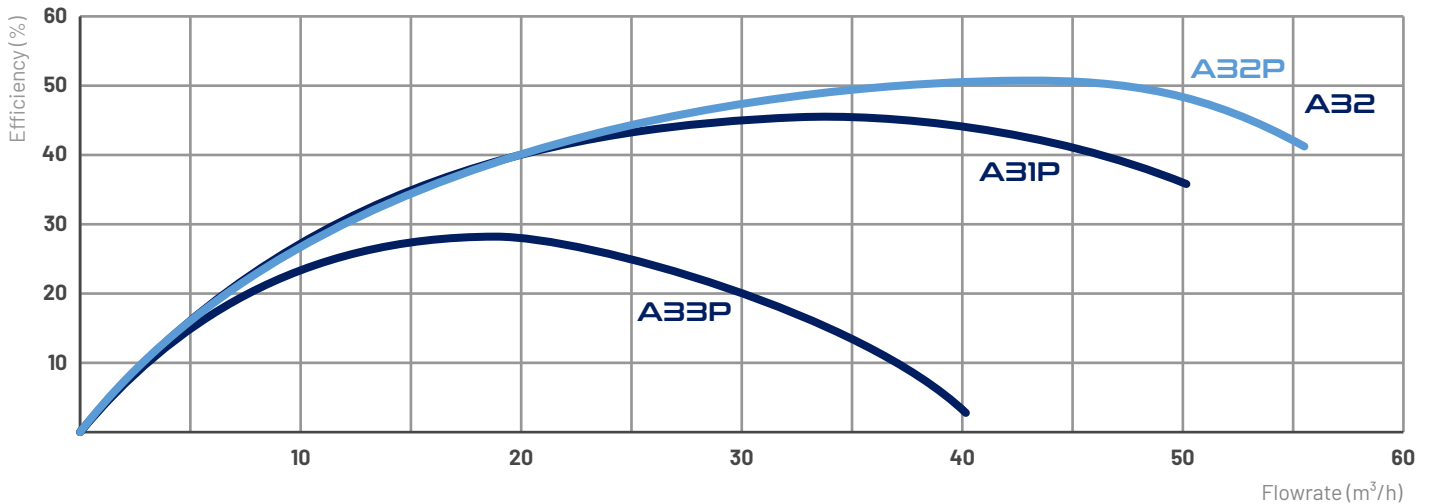
FLOWRATE CHARTS



NPSH CHART



EFFICIENCY CHART



FT-SI-A-SERIES-A32P-EN



MECHANICAL SEALS SIEBEC PUMPS

A SERIES

CORROSIVE LIQUID-COMPATIBLE MODELS



	Flowrate (m ³ /h)	Total Head (m)	Power (W)	Density	Power supply (V)
A15	4,8	9	180	< 1.2	230/400 Three-phase
A18	10	18	750	< 1.8	230/400 Three-phase
A19	14	19	1100	< 1.7	230/400 Three-phase
A27	31,5	22	2200	< 1.4	230/400 Three-phase
A30	43	22	4000	< 1.6	230/400 Three-phase
A31P	52	32	5500 (7500*)	< 1,1 (<1,5*)	230/400 Three-phase
A32P	57	41	7500	< 1	230/400 Three-phase
A33P	48	36	5500	< 1,25	230/400 Three-phase
A32	58	46,5	7500	< 1	230/400 Three-phase

*High Density version

⚠ WARNING
NON-COMPATIBLE MODELS FOR CORROSIVE LIQUIDS



	Flowrate (m ³ /h)	Total Head (m)	Power (W)	Viscosity	Power supply (V)
AP18	10	16	550	15 cSt	230 Single-phase or 230/400 Three-phase
AP19	12.5	17,5	1100	15 cSt	230 Single-phase or 230/400 Three-phase
AP18HP	7,5	24	1100 (de 1 cSt à 45 cSt)	45 cSt	230 Single-phase or 230/400 Three-phase
AP19HP	10	30	1100 pour de l'eau 1500 pour de l'huile jusqu'à 45 cSt	45 cSt	230 Single-phase or 230/400 Three-phase

SIEBEC SAS
contact@siebec.comSIEBEC Ltd
sales@siebec.co.ukSIEBEC S.L.
ventas@siebec.comSIEBEC SRL
commerciale@siebec.comSIEBEC GmbH
info@siebec.deSIEBEC LDA
info.pt@siebec.comWe are here to help.
Contact us!