**Flowrate**17 m³/h**Total Head**

19 m

Power

1.1 kW

Horizontal mechanical seals pump
for the transfer of corrosive fluids

APPLICATIONS

Corrosive fluids
Dense fluids
Bath transfer

ADVANTAGES

Protection strainer
Self-priming
Great efficiency
Acid and alkali resistant
Galvanic bath transfer

CONNECTION

Union nut
Threaded
Grooved nozzle
Flanges

SPECIFICATION**Hydraulic performances**

Max flow rate (m ³ /h)	17
Total head (m)	19
Max temperature (°C)	80 (PP) - 110 (PVDF)
Density	< 1.8

Motor

Standard	IE3
Power supply (V)	230/400 Three-phase
Power (kW)	1.1
Frequency (Hz)	50 - 60
Rotation speed (rpm)	3000

Design

Technology	Mechanical seals
Available materials	Polypropylene (PP) Polyvinylidene fluoride (PVDF)
Seals	Carbide/Carbide
Gaskets	EPDM (PP) FPM (PP - PVDF)



SIEBEC SAS
contact@siebec.com



SIEBEC Ltd
sales@siebec.co.uk



SIEBEC S.L.
ventas@siebec.com



SIEBEC SRL
commerciale@siebec.com



SIEBEC GmbH
info@siebec.de



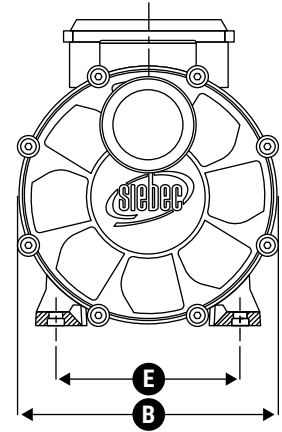
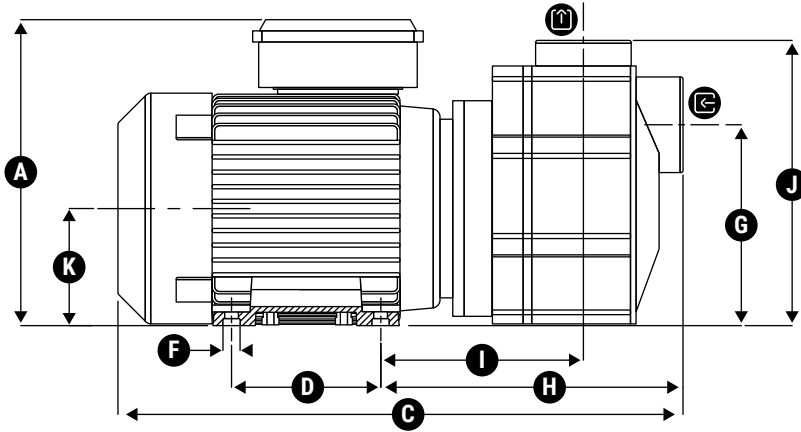
SIEBEC LDA
info.pt@siebec.com

We are here to help.
Contact us!

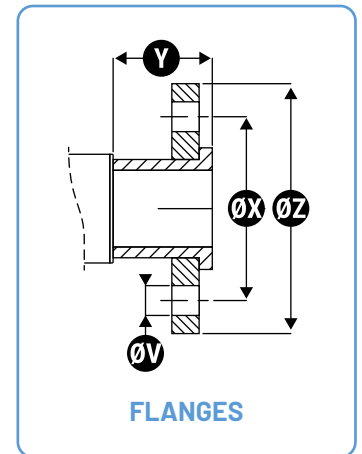
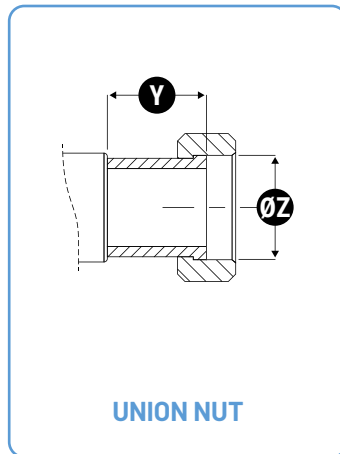
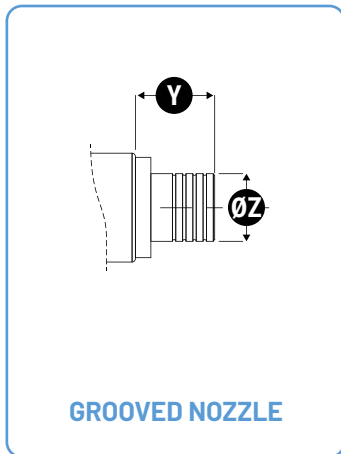


DIMENSIONS

Units : mm



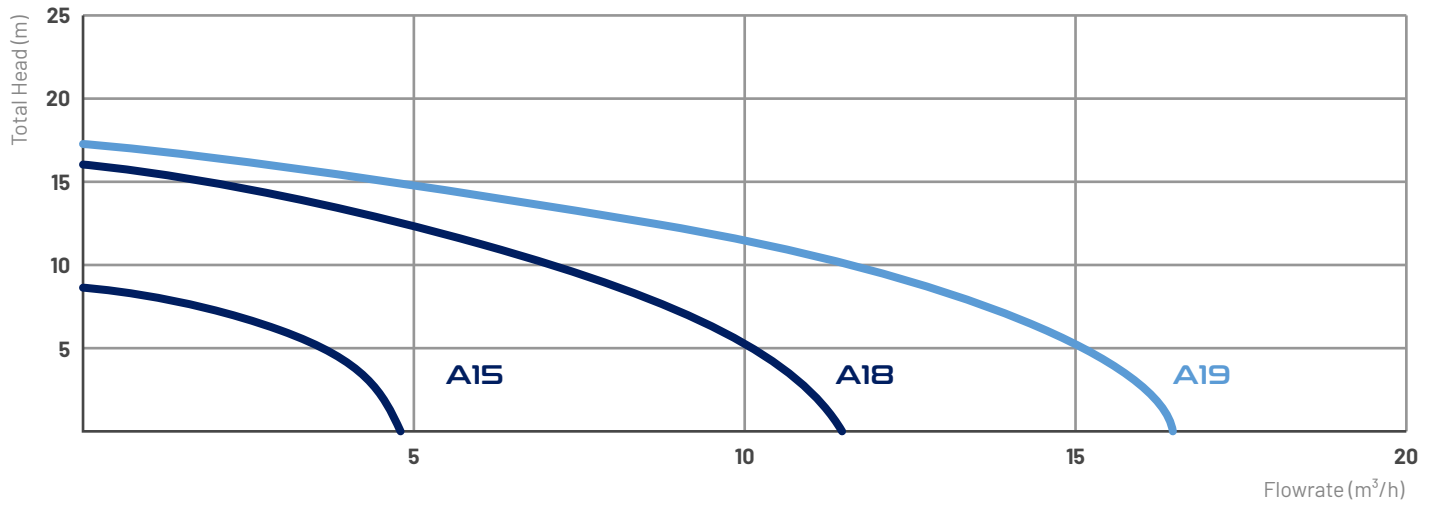
Outline dimensions			Fixation			Inlet / Outlet					
A	B	C	D	E	F	G	H	I	J	K	L
204.5	178	394.5	100	125	Ø9(x4)	137	212.5	144.5	195	N/A	N/A



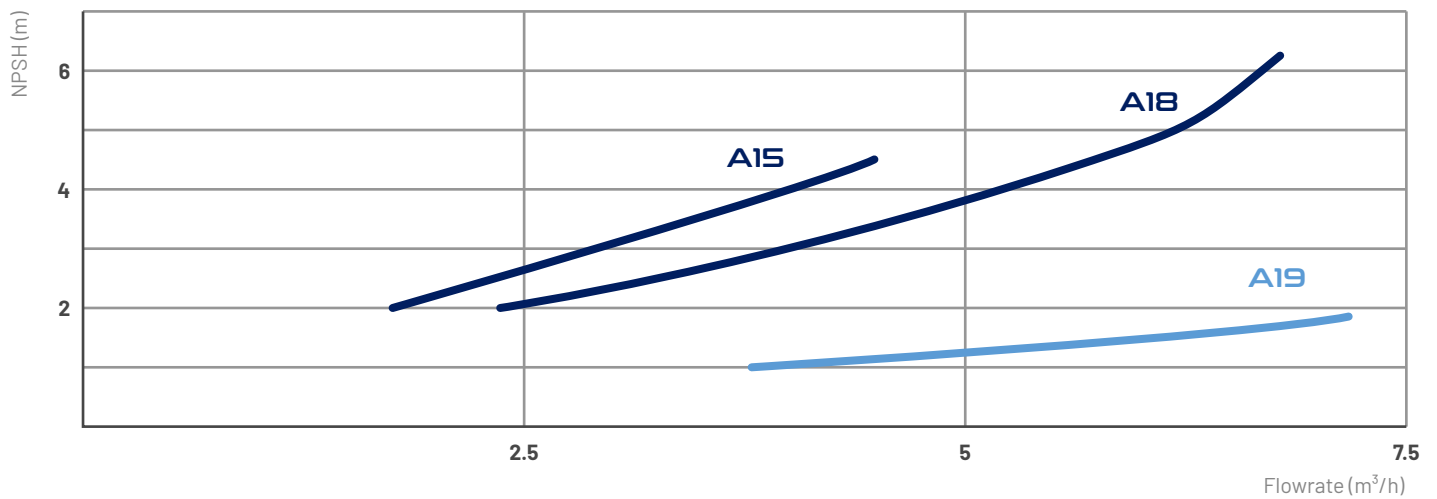
	Grooved nozzle		Union nut		Flanges			
	Y	Z	Y	Z	Y	Z	X	V
Entrée	83	Ø40	60	G2" 1/4 DN40	60	Ø150	Ø110	4 x Ø18
Sortie	83	Ø40	60	G2" 1/4 - DN40	60	Ø150	Ø110	Ø18 (x4)



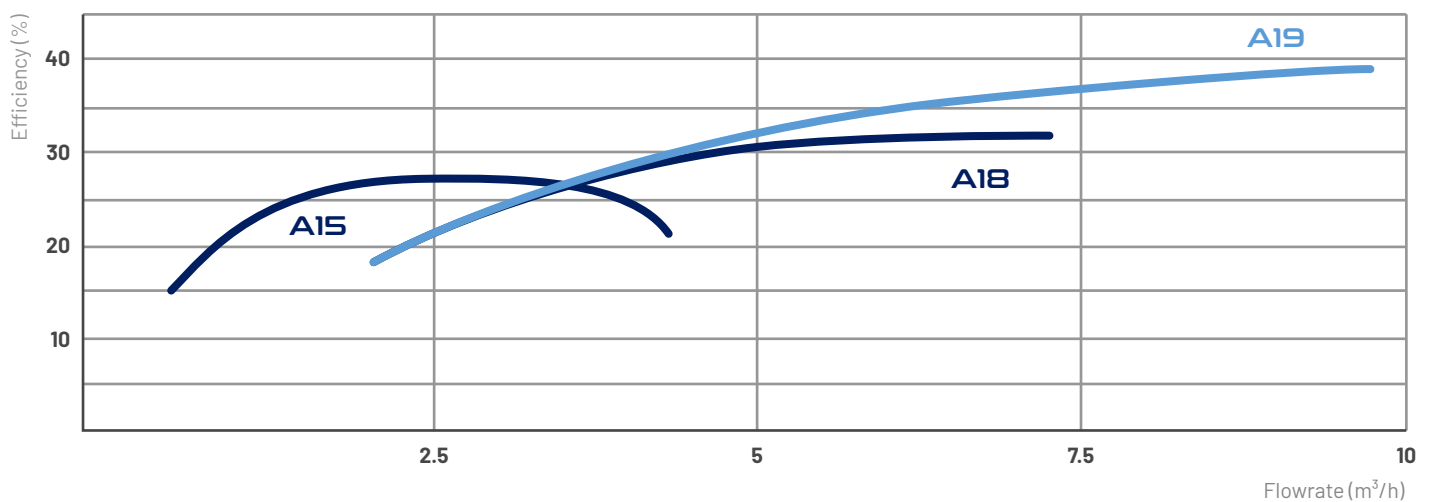
FLOWRATE CHARTS



NPSH CHART



EFFICIENCY CHART




FT-SI-A-SERIES-A19-EN




MECHANICAL SEALS SIEBEC PUMPS

A SERIES

CORROSIVE LIQUID-COMPATIBLE MODELS

	Flowrate (m ³ /h)	Total Head (m)	Power (kW)	Density	Power supply (V)
A15	4,8	9	0.18	< 1.2	230/400 Three-phase
A18	10	18	0.75	< 1.8	230/400 Three-phase
A19	14	19	1.1	< 1.7	230/400 Three-phase
A27	31,5	22	2.2	< 1.4	230/400 Three-phase
A30	43	22	4	< 1.6	230/400 Three-phase
A31P	52	32	5,5 - 7,5	< 1,1 - 1,5	230/400 Three-phase
A32P	57	41	7,2	< 1	230/400 Three-phase
A33P	48	36	4 - 5,5	< 1 - 1,25	230/400 Three-phase
A32	58	46,5	7,5	< 1	230/400 Three-phase

⚠ WARNING
NON-COMPATIBLE MODELS FOR CORROSIVE LIQUIDS

	Flowrate (m ³ /h)	Total Head (m)	Power (kW)	Viscosity	Power supply (V)
AP18	10	16	0.55	15 cSt	230 Single-phase or 230/400 Three-phase
AP19	12.5	17,5	1.1	15 cSt	230 Single-phase or 230/400 Three-phase
AP18HP	7,5	24	1,1kW (de 1 cSt à 45 cSt)	45 cSt	230 Single-phase or 230/400 Three-phase
AP19HP	10	30	1,1kW pour de l'eau 1,5kW pour de l'huile jusqu'à 45 cSt	45 cSt	230 Single-phase or 230/400 Three-phase

