

# SPP 90

DOSING PUMP



## Highlights

This pump was designed for demand applications requiring a reinforced polycarbonate body and integrated bearings. The transparent lid is mounted on hinges to ease the changing of pipes. Equipped with a 2.4mm pipe it enables good performances on viscous liquids.

Options : IP65 kit, On/off button, fuse



## SPP KIT

The SPP kit converts a 230V alternating current to 24V DC. The power supply enables a direct connection on any kind of outlet or directly on a machine.

It can be equipped with a circuit board enabling the automation of the pump..

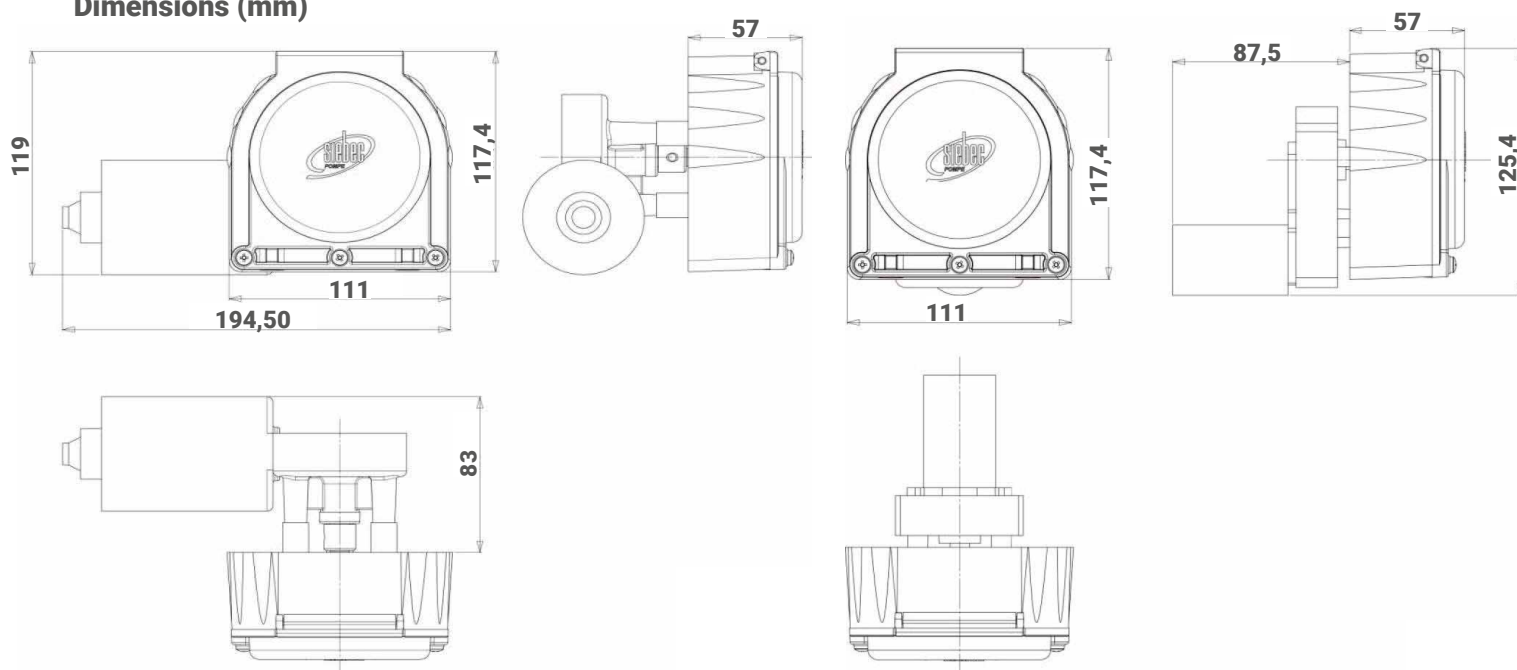
## Technical features

<b>Power supply</b> - V		24V* permanent magnet continuous current, in option 230V**, 24V Brushless with tachometer encoder			
<b>Frequency</b> - Hz		50			
<b>Max pressure</b> - bar		2			
<b>Maximum suction height</b> - m		2			
<b>Tube materials</b>		Tecknoprene®, Silicone®, Viton® Polypropylène or PVDF connectors			
<b>Weight without accessories</b> - kg		1 up to 1,5 kg			
<b>Power</b> - W		12 up to 45			
<b>Rotation speed</b> - rpm		<b>65</b>	<b>88 (brushless)</b>	<b>125</b>	<b>240</b>
<b>Max flowrate</b> - l/h	Ø tube 6 - mm	20,40	27,00	36,60	87,00
	Ø tube 8 - mm	29,40	38,40	54,00	126,00

\*24 V : 65 RPM, 125 RPM, 240V ou 24 V brushless: 88 RPM

\*\*230 V: 125 RPM

## Dimensions (mm)



24V with 240rpm motoreductor

24V with 55 up to 125rpm motoreductor