

EN Data sheet



Highlights

- Injected polypropylene : great resistance to acids and alkalines
- Up to 40 m² of filtration area
- Monoblock injected tank without welding
- Side pannels protecting the pump from splashes
- Large interchangeable range of filtration medias
- Entirely customizable : Individual operation, double, parallel, series and Bypass instantly
- Dissolution and draining tank version : enables the addition of additives, the dissolution of salts, the use of filter aid or activ carbon powder as well as the draining of filtration tanks

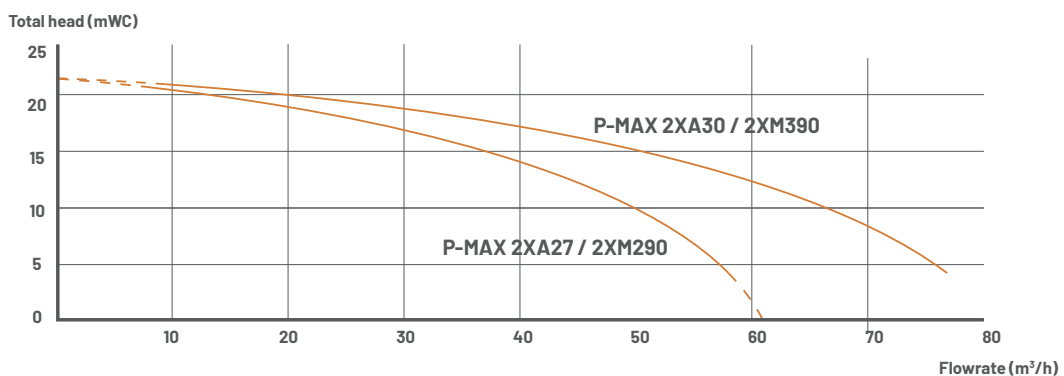
Technical features

Materials	PP
Gaskets	EPDM - FPM
Max temperature	80°C
Filtration rate	0,2 -> 100 µm
Pumps	2 x A27 - 2 x A30 - 2 x M290 - 2 x M390
Flowrate	Up to 80 m ³ /h
Connectipon	Threaded, Union nut, grooved nozzle, flanges
Dissolution tank	100L
Options	OILTECH container : PP microfibres, bag filtration: BAGTECH

Filtration medias

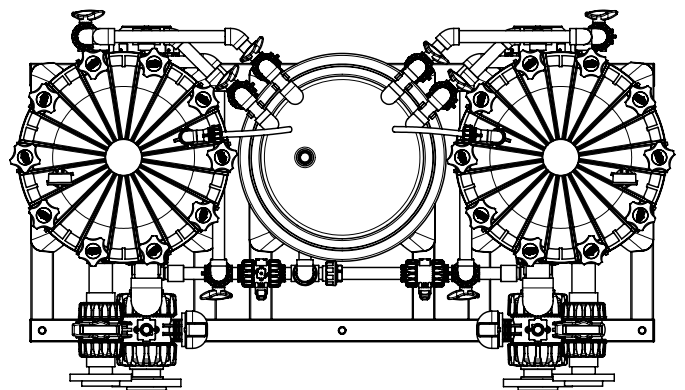
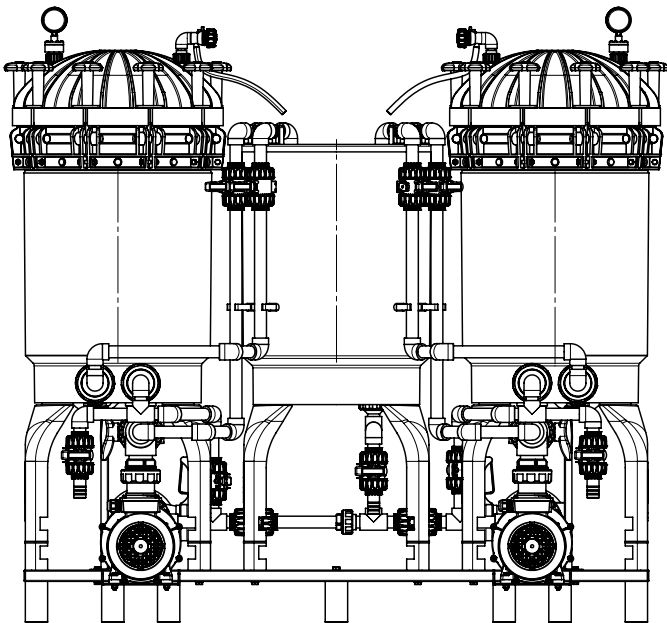
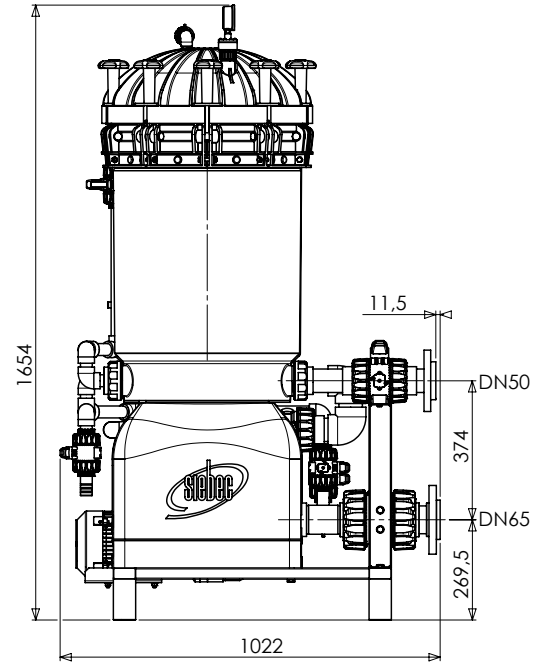
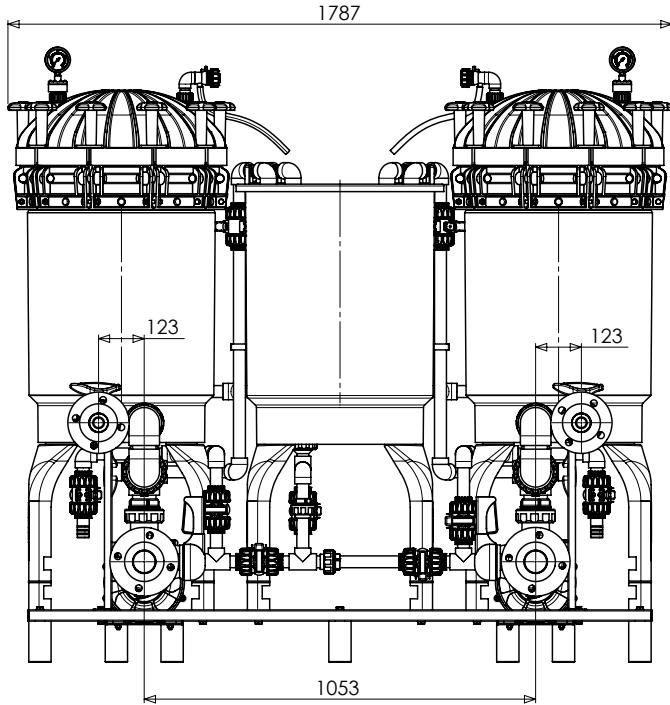


Flowrate charts



*Flow rates measured on 8 L-TECH cartridges, with water at 20°C. Variable flow rates depending on filter assembly.

P-MAX Dimensions



SIEBEC SAS
contact@siebec.com



SIEBEC Ltd
sales@siebec.co.uk



SIEBEC S.L.
ventas@siebec.com



SIEBEC SRL
commerciale@siebec.com



SIEBEC GmbH
info@siebec.de



SIEBEC LDA
info.pt@siebec.com

We are here to help.
Contact-us!

