

EN Data sheet



Highlights

- Injected polypropylene : great resistance to acids and alkalines
- Monoblock injected tank without welding
- Side pannels protecting the pump from splashes
- Large interchangeable range of filtration medias
- Entirely customizable
- Series or parallel filtration
- Tanks in Bypass
- Custom made according to your specifications

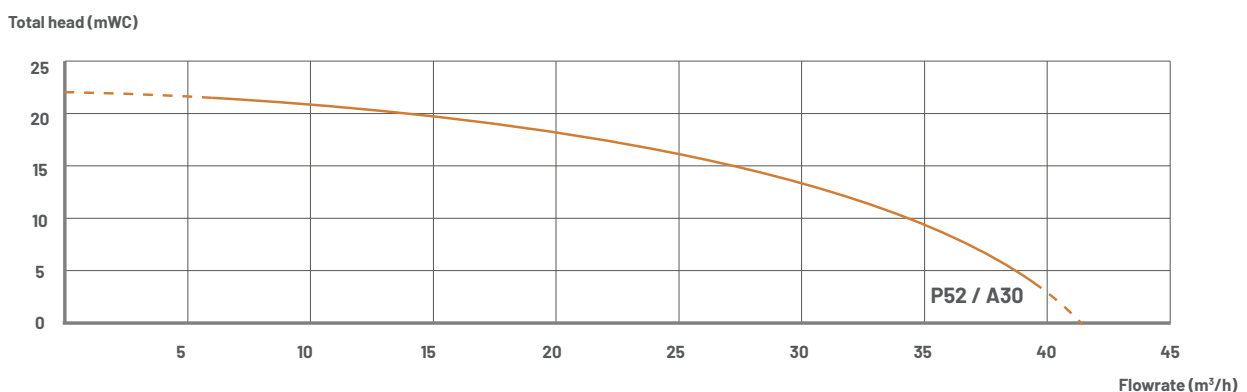
Technical features

Materials	PP
Gaskets	EPDM - FPM
Max temperature	80°C
Filtration rate	0,2 -> 100 µm
Pumps	A27 - A30 - M290 - M390
Flowrate	26 -> 41 m ³ /h
Connectipon	Threaded, Union nut, grooved nozzle, flanges
Dissolution tank	100L
Options	OILTECH container : PP microfibres, bag filtration: BAGTECH

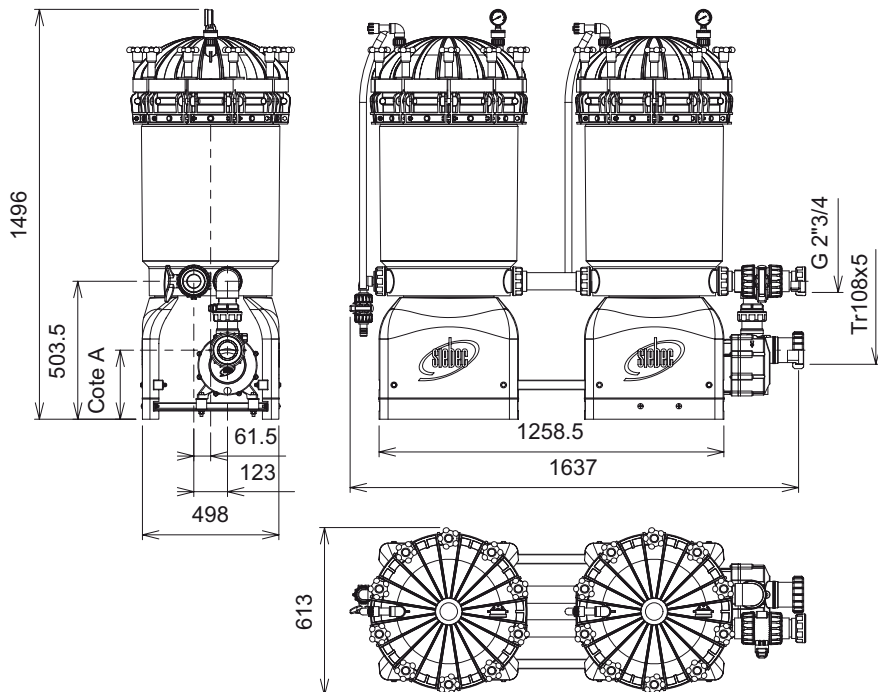
Filtration medias



Flowrate charts

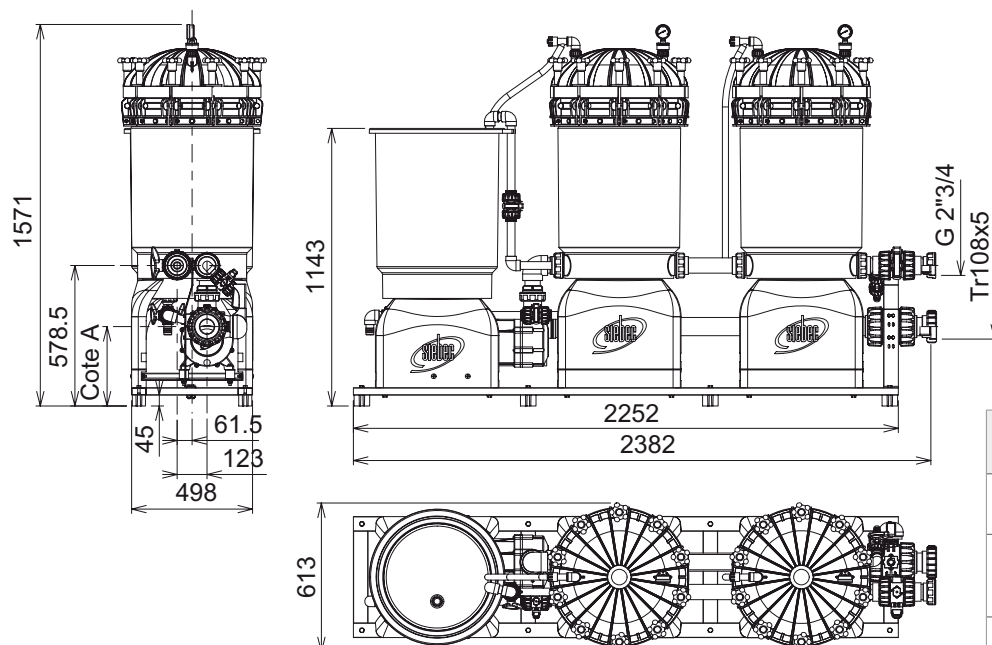


P52 / P52E dimensions



PUMP	A	B
M390	252 mm	Tr108x5
M290	212 mm	G2"3/4 MÂLE - DN50
A30	252 mm	Tr108x5
A27	220 mm	Tr108x5

Dimensions with dissolution tank



PUMP	A	B
M390	327 mm	Tr108x5
M290	287 mm	G2"3/4 MÂLE - DN50
A30	327 mm	Tr108x5
A27	295 mm	Tr108x5

Other specific versions are available on request.

