

EN Data sheet



### Highlights

- Injected polypropylene : great resistance to acids and alkalines
- Monoblock injected tank without welding
- Side pannels protecting the pump from splashes
- Large interchangeable range of filtration medias
- Entirely customizable

### Technical features

<b>Materials</b>	PP
<b>Gaskets</b>	EPDM - FPM
<b>Max temperature</b>	80°C
<b>Filtration rate</b>	0,2 -> 100 µm
<b>Pumps</b>	A19 - M140 - M200 - M250
<b>Flowrate</b>	16 -> 25 m <sup>3</sup> /h
<b>Connectipon</b>	Threaded, Union nut, grooved nozzle, flanges
<b>Dissolution tank</b>	100L
<b>Options</b>	OILTECH container : PP microfibres, bag filtration: BAGTECH

### Filtration medias

**1**

**L-TECH pleated cartridge**  
4 L-TECH 20" (20m<sup>2</sup>)

**2**

**Wound cartridges**  
36 x 20"

**3**

**Discs**  
27 -> 54 Ø456 mm  
(3,9 m<sup>2</sup> -> 7,8 m<sup>2</sup>)

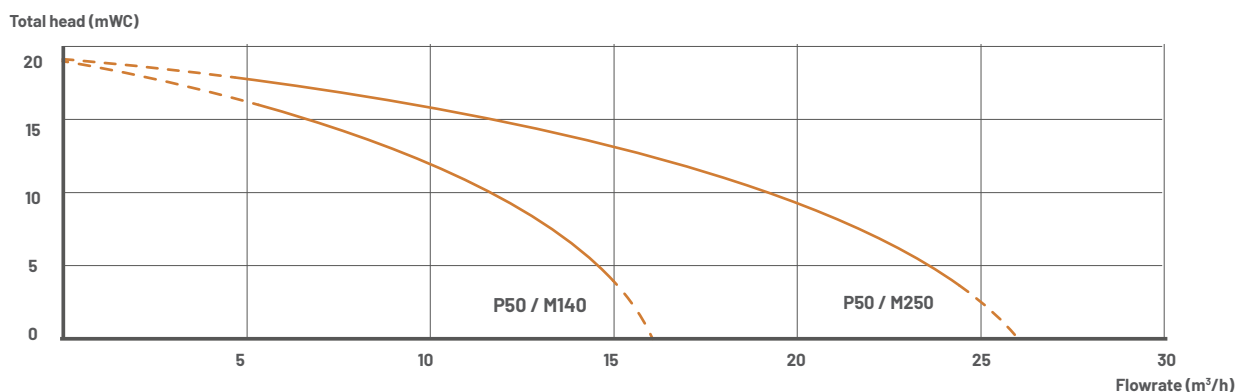
**4**

**Activated carbon**  
4 x 11,6L

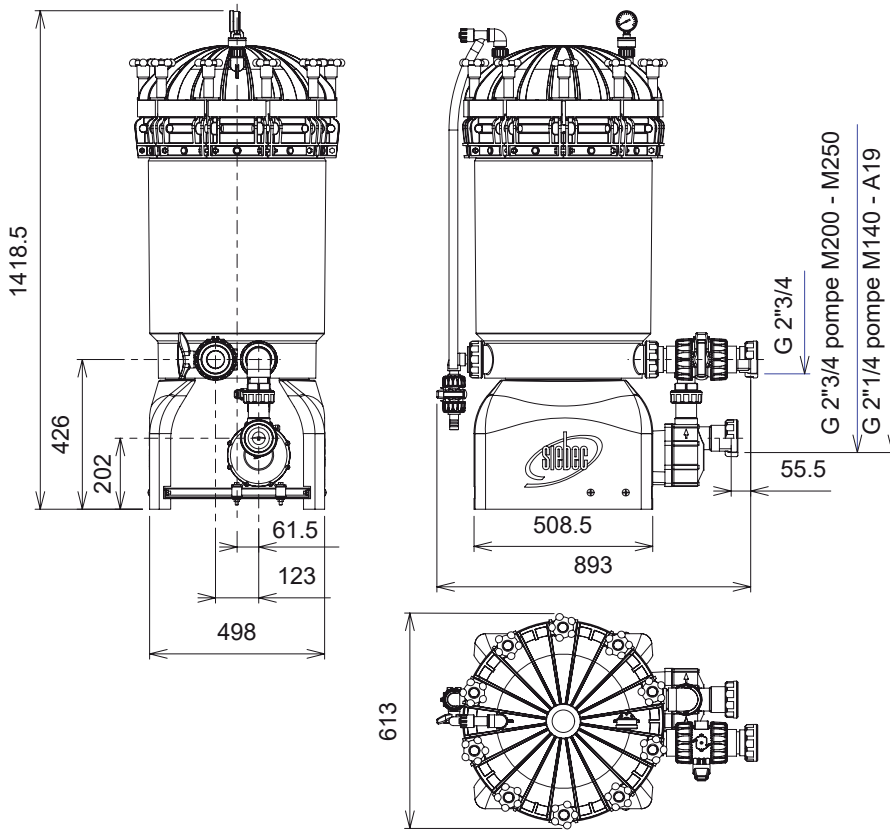
**5**

**Bags**  
2x 4 size 10

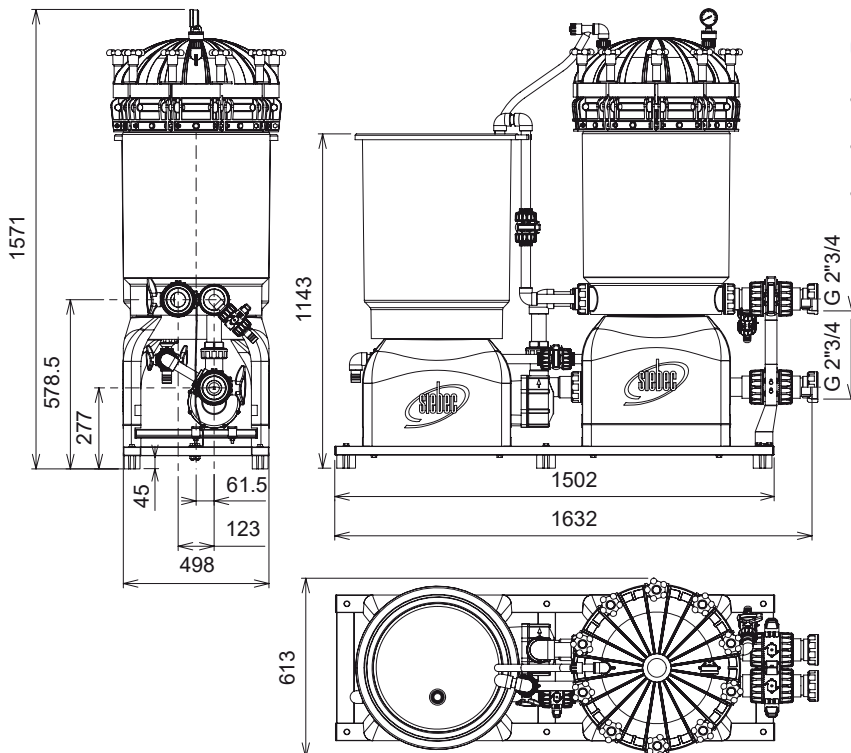
### Flowrate charts



## P50 / P50E dimensions



## Dimensions with dissolution tank



### Options available :

- Pressure sensor
- Filtration tank draining system into coating tank
- Consult us for any specific request



**SIEBEC SAS**  
contact@siebec.com



**SIEBEC Ltd**  
sales@siebec.co.uk



**SIEBEC S.L.**  
ventas@siebec.com



**SIEBEC SRL**  
commerciale@siebec.com



**SIEBEC GmbH**  
info@siebec.de



**SIEBEC LDA**  
info.pt@siebec.com

We are here to help.  
**Contact-us!**

