



## Series R3 - R12 precious metal reclaimers



**Applications :** Recovering precious metals (Gold, Silver) from rinsing baths of less than 300 liters (R3)  
Recovering precious metals (Gold, Silver) from rinsing baths of more than 300 liters (R12)

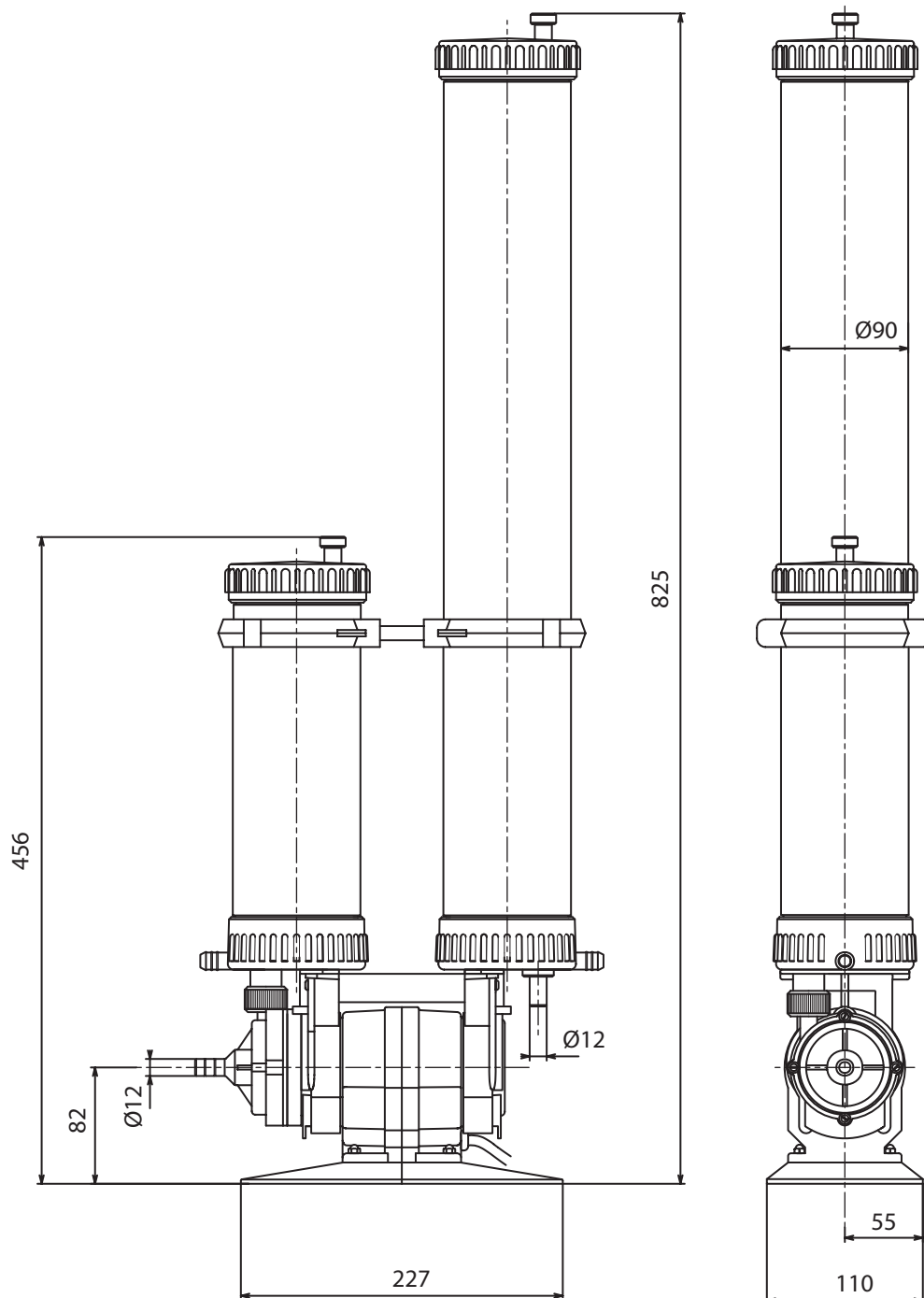
**Made of injected plastic (Polypropylene)**  
High corrosion resistance

**Recovery from rinsing water of metal ions on exchange resin**  
A single run over the resin is usually sufficient

**Pre-filtering on a 30 micron cartridge**  
Protects resin from pollution by solid particles or other impurities



## R3 metal reclaiming





## R12 metal reclaimer

