

MC filter range catalogue



Application : filtering low volume (from 70 to 500 liters) of galvanoplasty electrolytes (Nickel, Zinc, Copper, Chrome, Platinum, Gold...)
 - filtering chemicals
 - laboratories

Made of injected plastic

High resistance to acids and bases
 Max. fluid temperature 80°C (PP)
 Max. fluid temperature 110°C (PVDF)

Filtration on cartridges




Wound, spun-bonded or pleated cartridges from 10"/20" Filter gauge from 50 to 1 micron

Magnetic drive pump

Flow rate from 0.4 to 4 m³/h

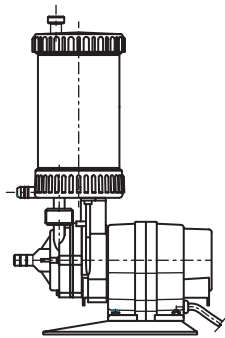
Modular design

Double chamber in-line or parallel versions

-  *Presentation of the range*
-  *Curves*
-  *General dimensions*



Presentation of the range

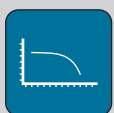
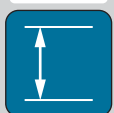


MC4 - MC10 filters

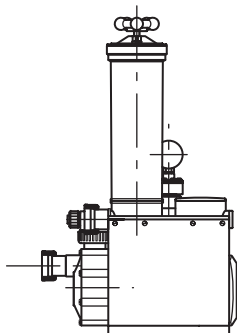
Technical features

- Pump model	M7
- Max. output	from 0.35 m ³ /h to 0.375 m ³ /h
- Filtering element	1 x 4" cartridge for MC4 filter 1 x 10" cartridge for MC10 filter
- Max. fluid temperature	PERSPEX body 70°C PP body 80°C
- Gaskets	EPDM - FPM EPDM - FPM

DIMENSIONS



CURVES

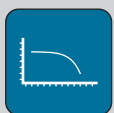
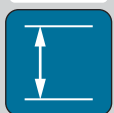


MC15 filter

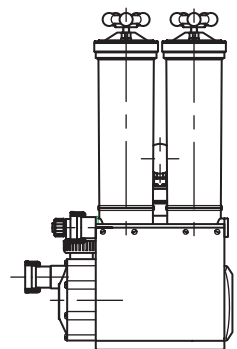
Technical features

- Pump model	M15 - M35
- Max. output	from 1.5 m ³ /h to 2.5 m ³ /h
- Filtering element	1 x 10" cartridge
- Max. fluid temperature	PP body 80°C
- Gaskets	EPDM - FPM

DIMENSIONS



CURVES

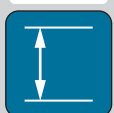


MC15 filter parallel

Technical features

- Pump model	M35-M50
- Max. output	from 2.5 m ³ /h to 4 m ³ /h
- Filtering element	2 x 10" or 20" cartridges
- Max. fluid temperature	PP body 80°C
- Gaskets	EPDM - FPM

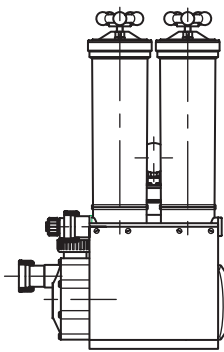
DIMENSIONS



CURVES



Presentation of the range



MC15 filter serial

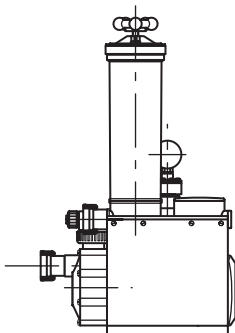
Technical features

- Pump model *M35-M50*
- Max. output *from 1.3 m³/h to 2.5 m³/h*
- Filtering element *2 x 10" or 20" cartridges*
- Max. fluid temperature *PP body 80°C*
- Gaskets *EPDM - FPM*

DIMENSIONS



CURVES



MC15 filter

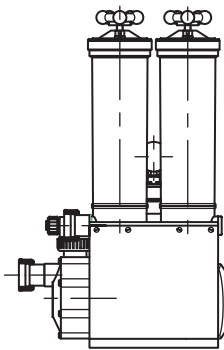
Technical features

- Pump model *M35*
- Max. output *1.5 m³/h*
- Filtering element *1 x 10" cartridge*
- Max. fluid temperature *PVDF body 110°C*
- Gaskets *FPM*

DIMENSIONS



CURVES



MC15 filter parallel

Technical features

- Pump model *M35-M50*
- Max. output *from 2.5 m³/h to 4 m³/h*
- Filtering element *2 x 10" cartridges*
- Max. fluid temperature *PVDF body 110°C*
- Gaskets *FPM*

DIMENSIONS



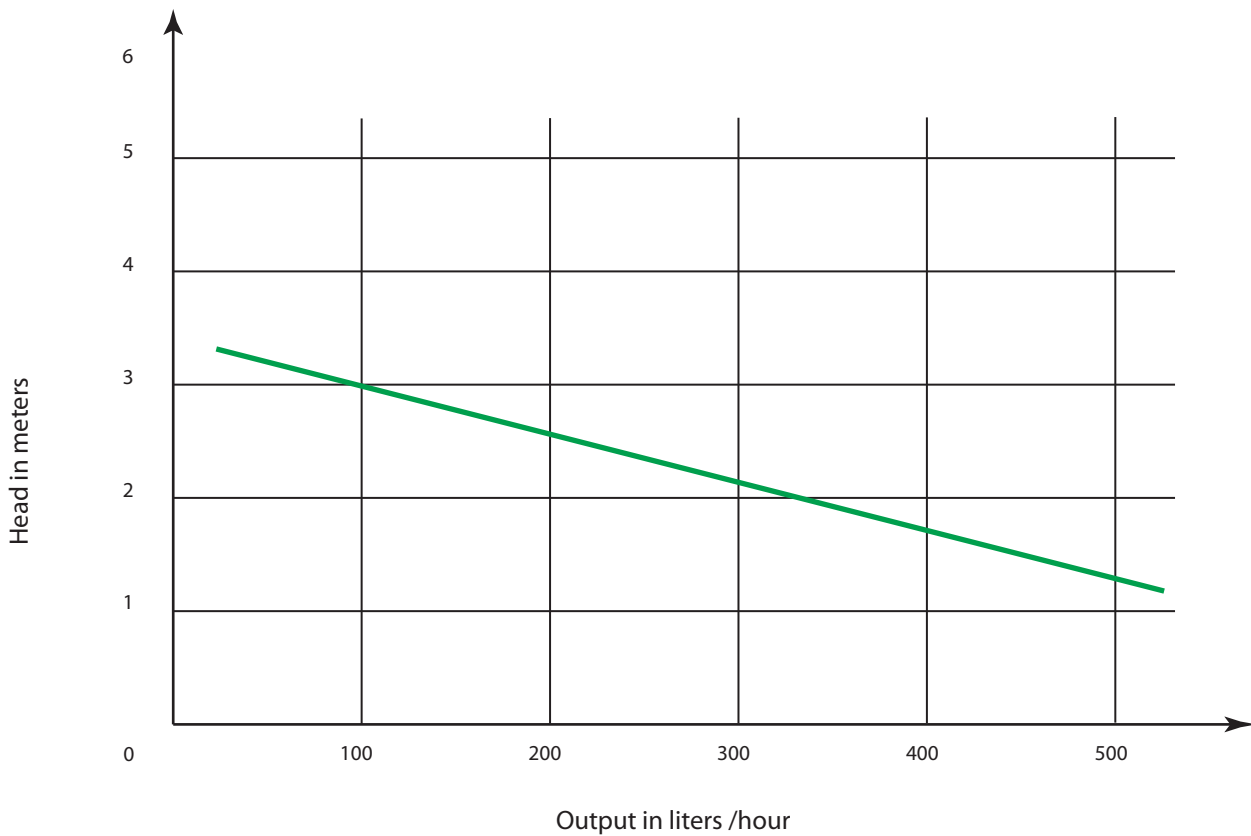
CURVES



Curve

MC 4 - MC 10 Filters

- Manometric head in meters
- Output in l/h

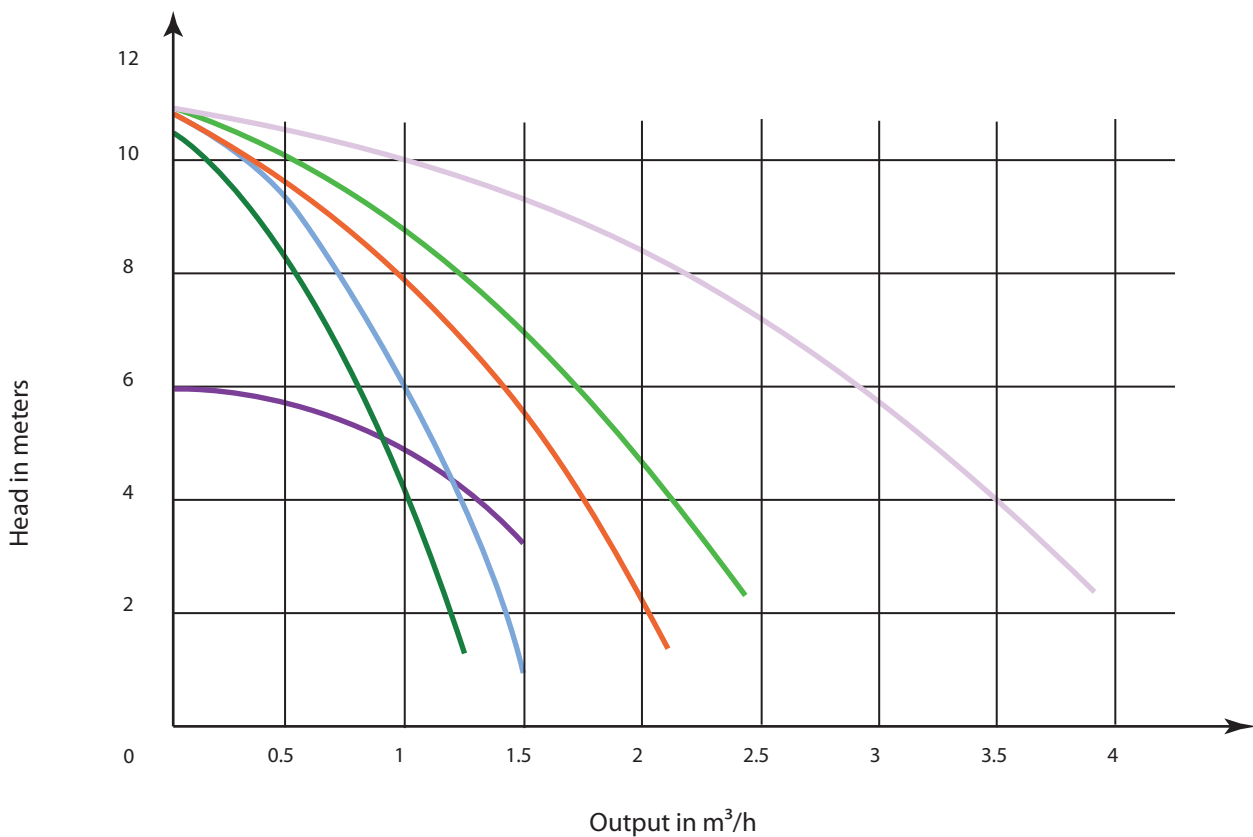




Curves

MC15 Filters

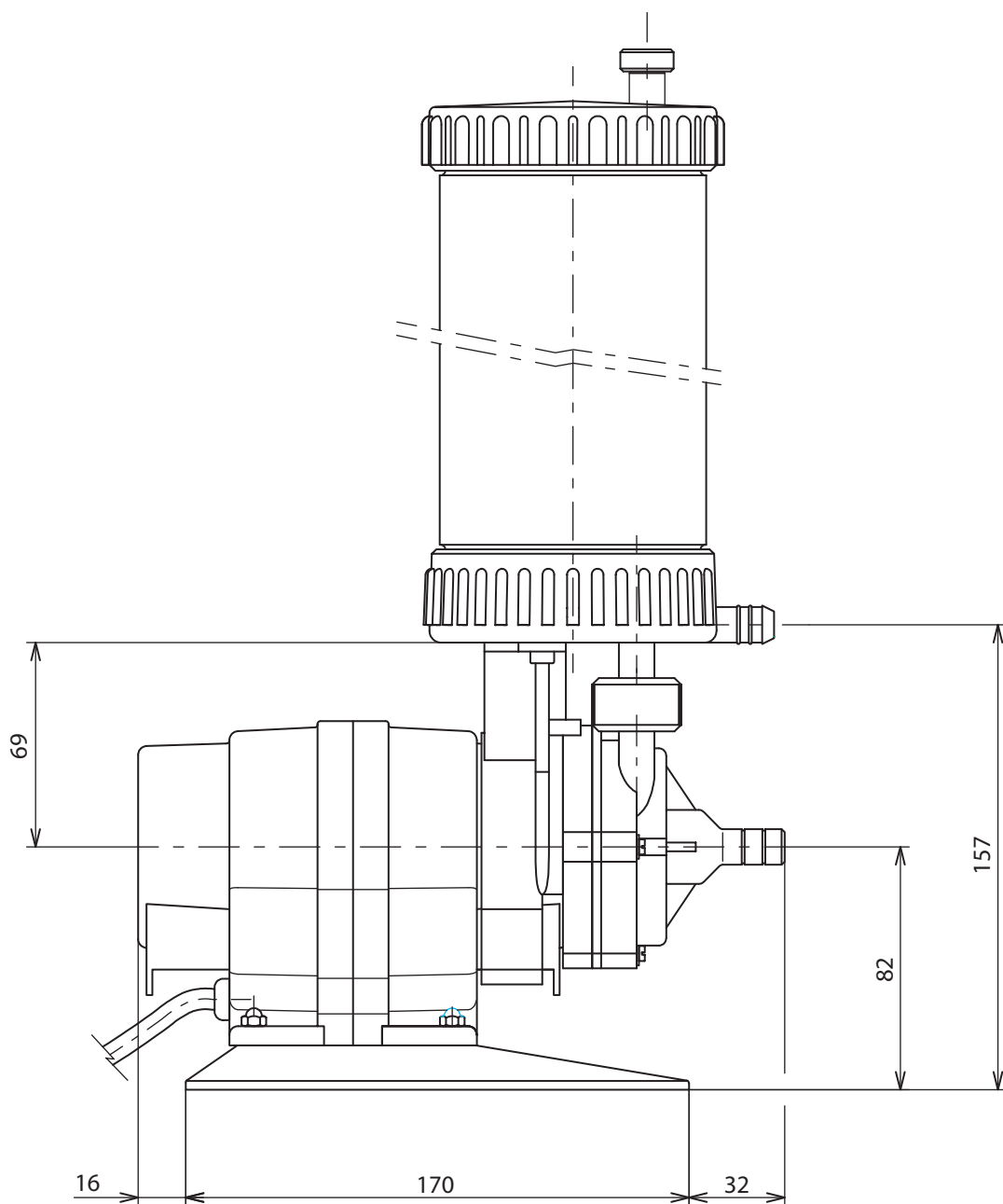
- Manometric head in meters
 - Output in m³/h



- MC15 filter with 1 x 10" cartridge - M15 pump
- MC15 filter with 1 x 10" cartridge - M35 pump
- MC15 filter with 2 x 10" cartridges in series - M35 pump
- MC15 filter with 2 x 20" cartridges in series - M50 pump
- MC15 filter with 2 x 20" cartridges in parallel - M50 pump

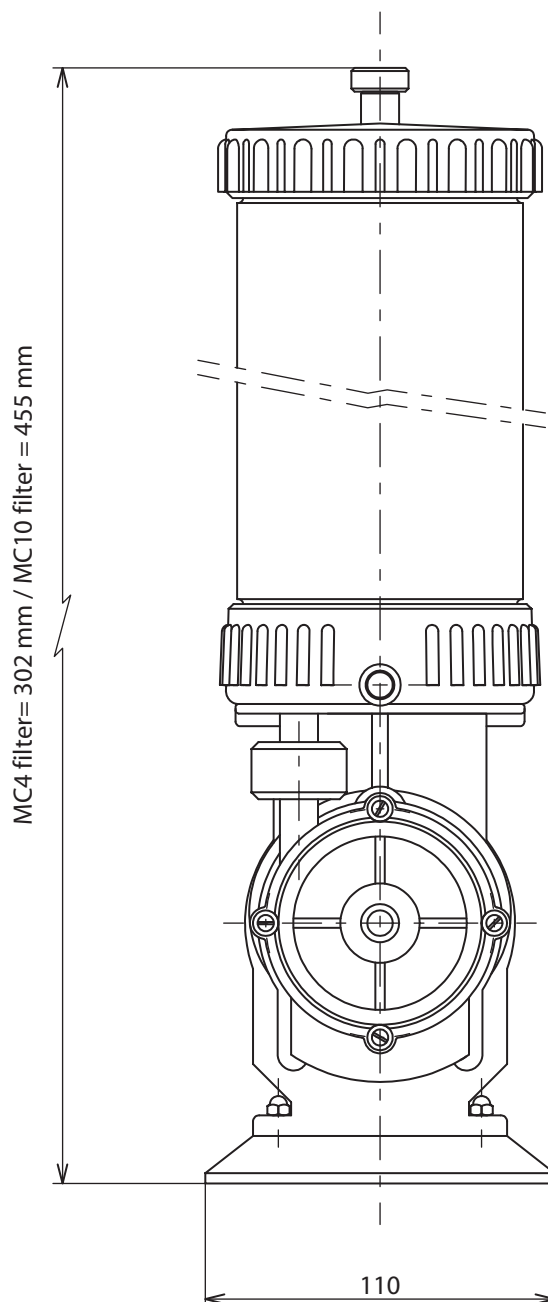


General dimensions MC4 - MC10 filters



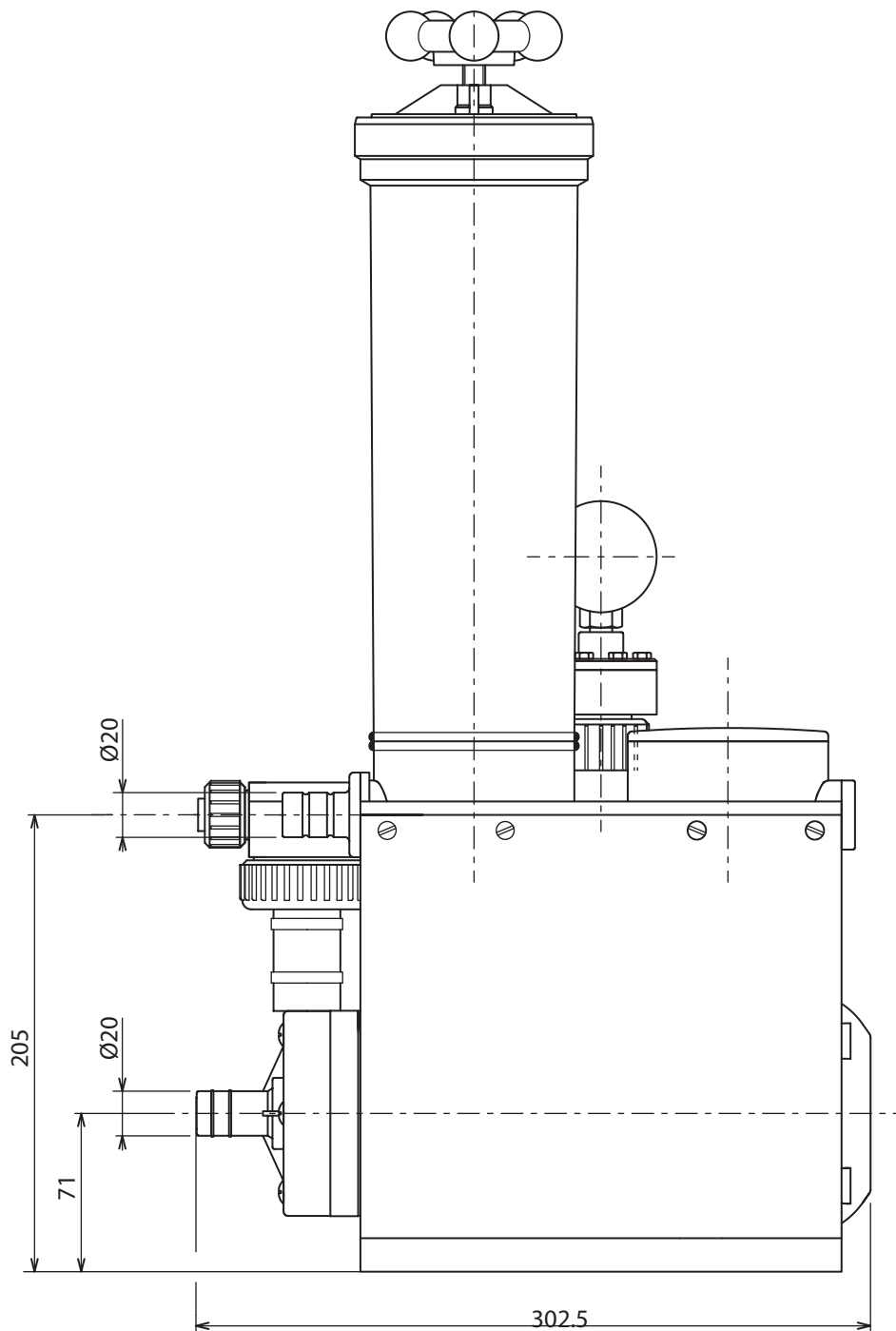


General dimensions MC4 - MC10 filters





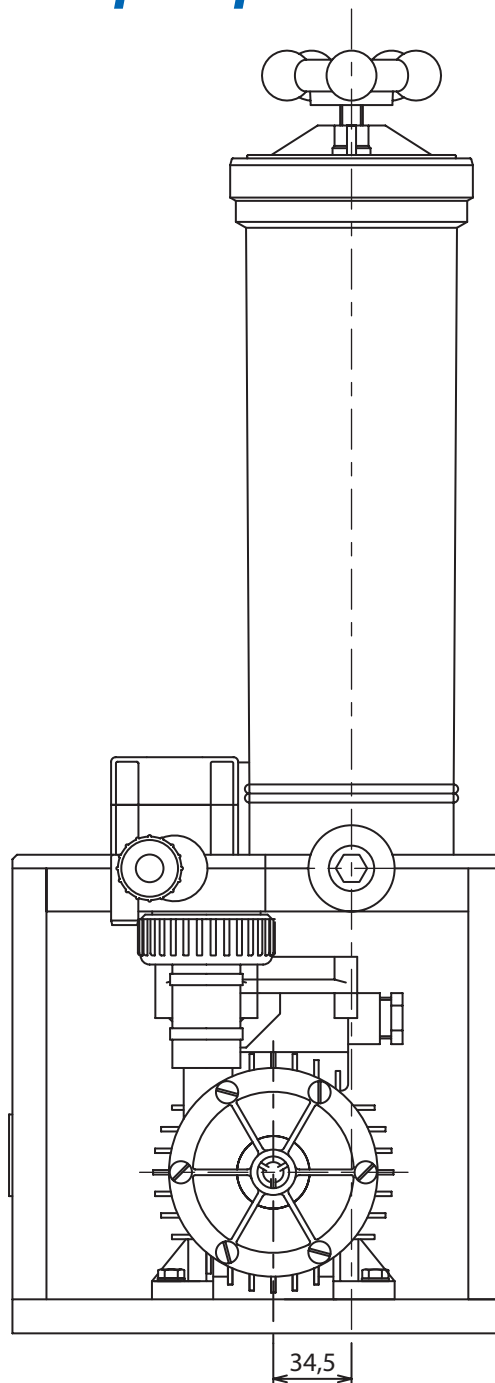
General dimensions MC15 filter with M15 pump



www.siebec.com

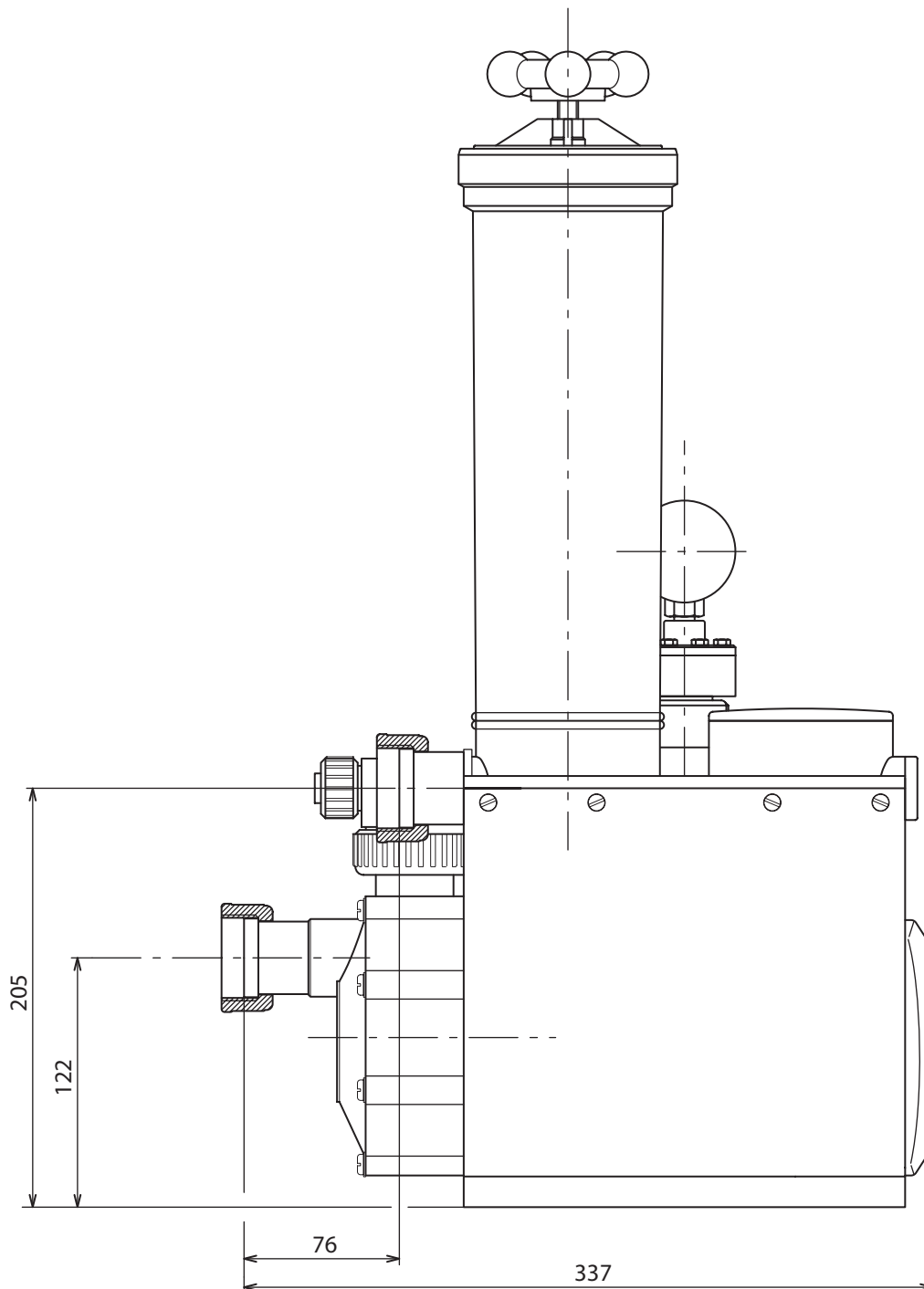


General dimensions MC15 filter with M15 pump





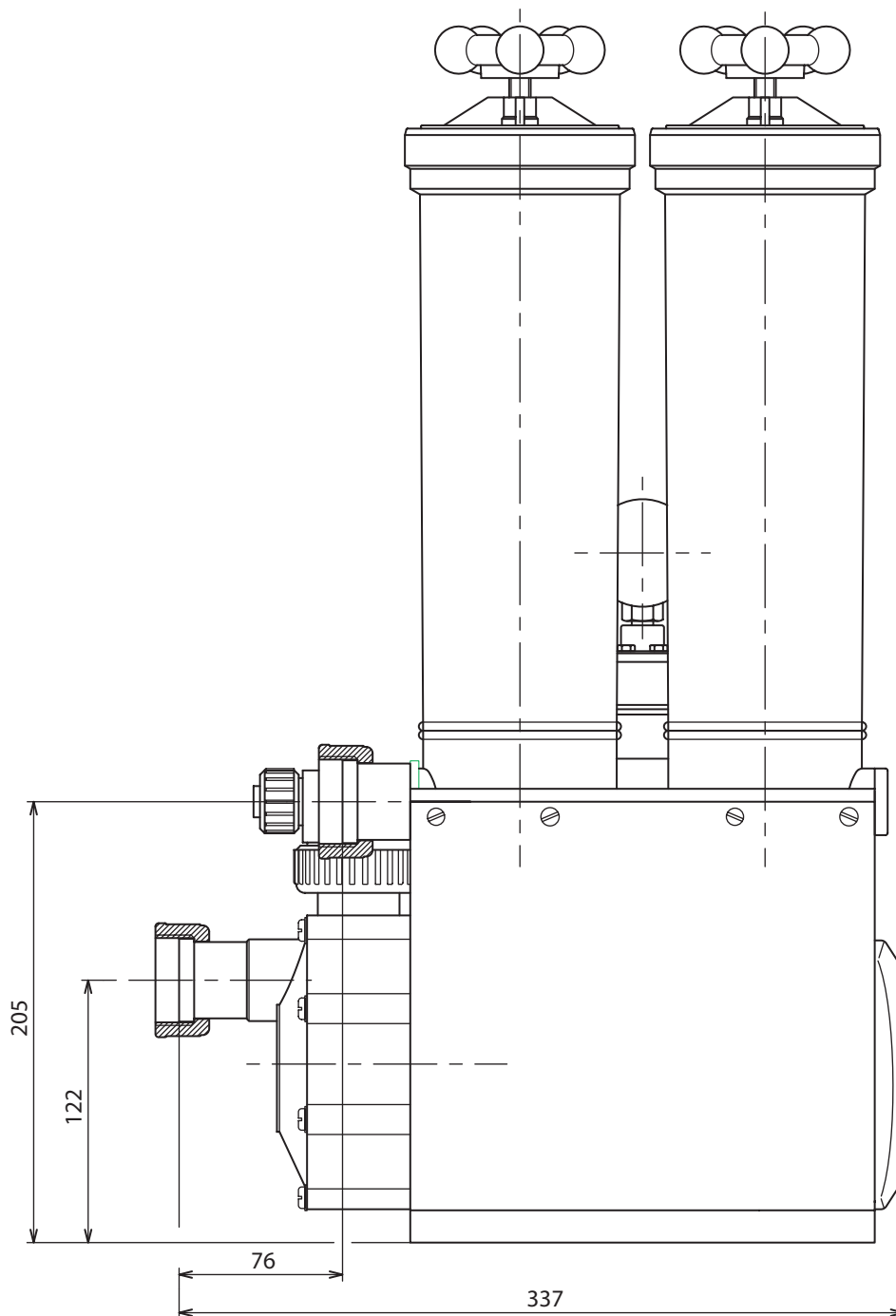
General dimensions MC15 filter with M35-M50 pump



www.siebec.com



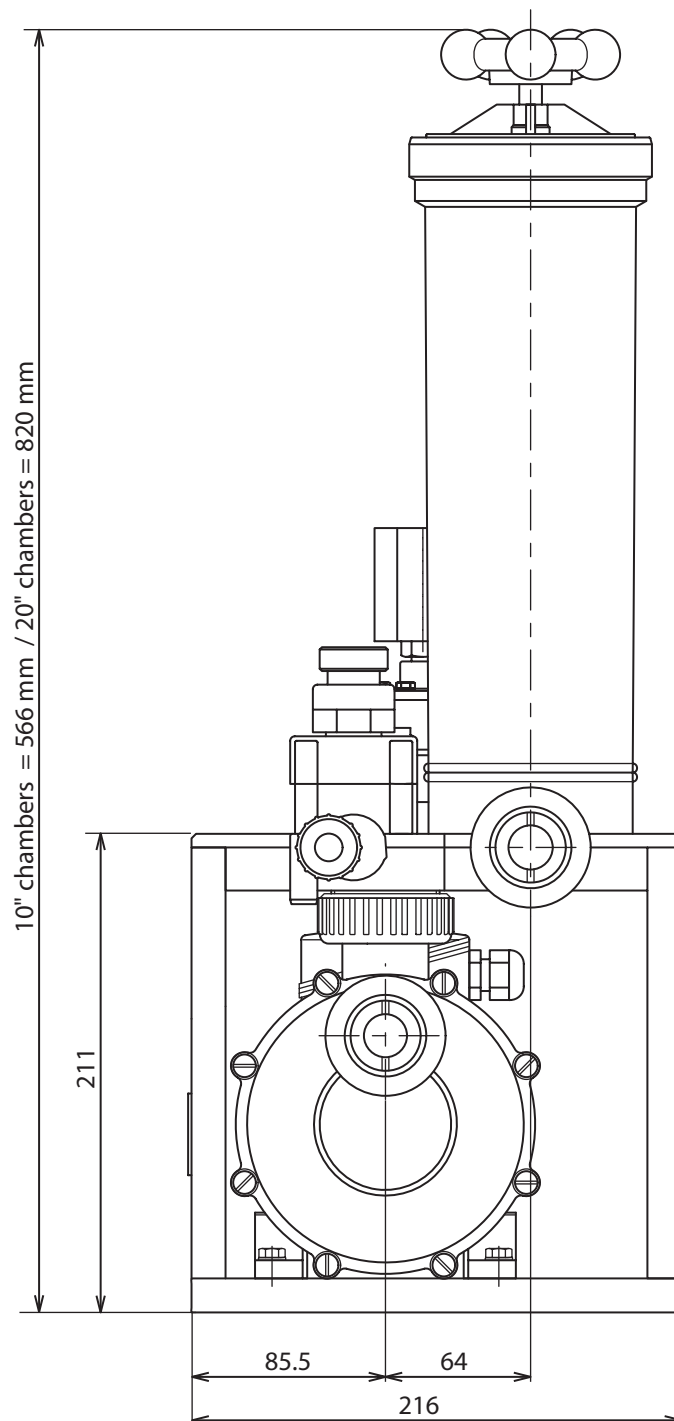
General dimensions MC15 filter with M35-M50 pump



www.siebec.com



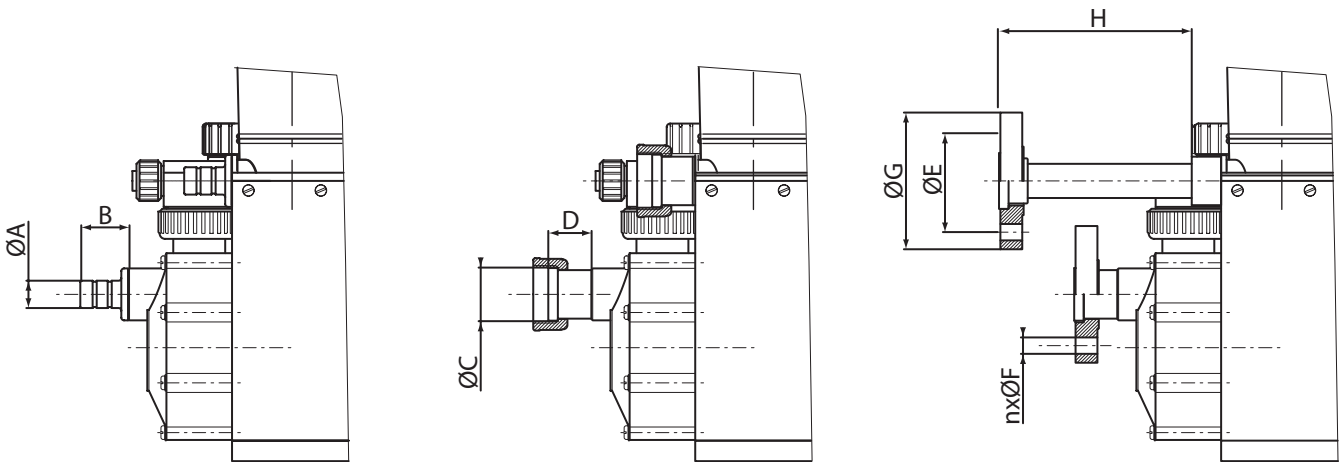
General dimensions MC15 filter with M35-M50 pump



www.siebec.com



Connections MC15 filter with M35-M50 pump



Pump		Grooved nozzles ØA - B	Union nuts ØC (DN) - D	Flange fittings ØG - ØE - nxØF - H
M35	<i>inlet</i>	20 - 35	G1"1/4 - DN20 - 31,5	100 - 75 - 4x12 - 31.5
	<i>outlet</i>	20 - 35	G1"1/4 - DN20 - 31,5	100 - 75 - 4x12 - 140
M50	<i>inlet</i>	25 - 35	G1"1/2 - DN25 - 31,5	115 - 85 - 4x14 - 31.5
	<i>outlet</i>	25 - 35	G1"1/2 - DN25 - 31,5	115 - 85 - 4x14 - 140