







J filter range catalogue



-  *Presentation of the range*
-  *Filtering elements*
-  *Curves*
-  *General dimensions*

Application : filtering average volumes (500 to 3,000 liters) of galvanoplasty electrolytes (Nickel, Zinc, Copper, Chrome, Platinum, Gold...)

**Made of injected plastic
(Polypropylene or PVDF for J15 filters)**

Excellent resistance to acids and bases
Max. fluid temperature 80 °C (PP), 110 °C (PVDF)

**Filtration on L-TECH pleated cartridges
(J30 / J50 filters)**

Washable cartridges with a very large filtering area (5 m²), low operating costs, filter gauge from 50 to 2 micron

**Choice of optional and interchangeable
filtration systems (J30 / J50 filters)**

Filtration on paper with 32 to 64 plates Ø 195 mm
Filtration on 7 spun-bonded or wound 10" / 20" cartridges
Filter gauge from 50 to 1 micron

Choice of vertical pumps

Flow rates from 1.5 to 14 m³/h

**Designed to be mounted immersed in
the tank**

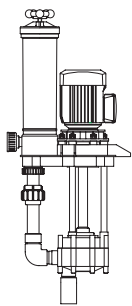
No connecting pipings, no risk of leaks

**Optional active carbon
canister interchangeable with
L-TECH cartridges**

Active granulated carbon treatment



Presentation of the range



J15 filter

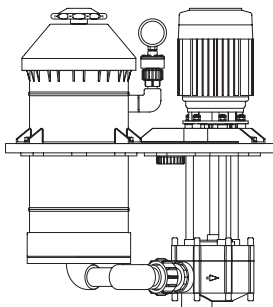
Technical features

- Pump T050
- Max. output 2.3 m³/h
- Filtering element 1 spun-bonded cartridge 10" to 20"
1 wound cartridge 10" to 20"
- Material PP or PVDF

DIMENSIONS



CURVES



J30 filter

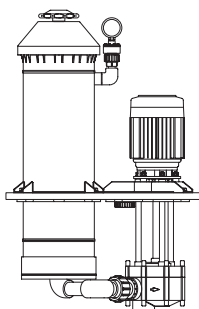
Technical features

- Pump T050-T070-T100-T140
- Max. output from 3.5 m³/h to 9.2 m³/h
- Filtering elements 7 spun-bonded cartridges 10"
7 wound cartridges 10"
1 L TECH cartridge 10"
1 AC canister 5.8 liters
32 plates Ø195 mm

DIMENSIONS



CURVES



J50 filter

Technical features

- Pump T070-T100-T140-T200
- Max. output from 5 m³/h to 10.2 m³/h
- Filtering elements 7 spun-bonded cartridges 20"
7 wound cartridges 20"
1 L TECH cartridge 20"
1 AC canister 11.6 liters
64 plates Ø195 mm

DIMENSIONS



CURVES



Filtering elements



Washable cartridge with a very large filtering area (5 m²), low operating costs, filter gauge from 50 to 2 micron

Active carbon canister interchangeable with the L-TECH cartridge



Filtration on 7 spun-bonded or wound cartridges 10" / 20" filter gauge from 50 to 1 micron

Filtration on paper discs with 32 to 64 plates diameter 195 mm

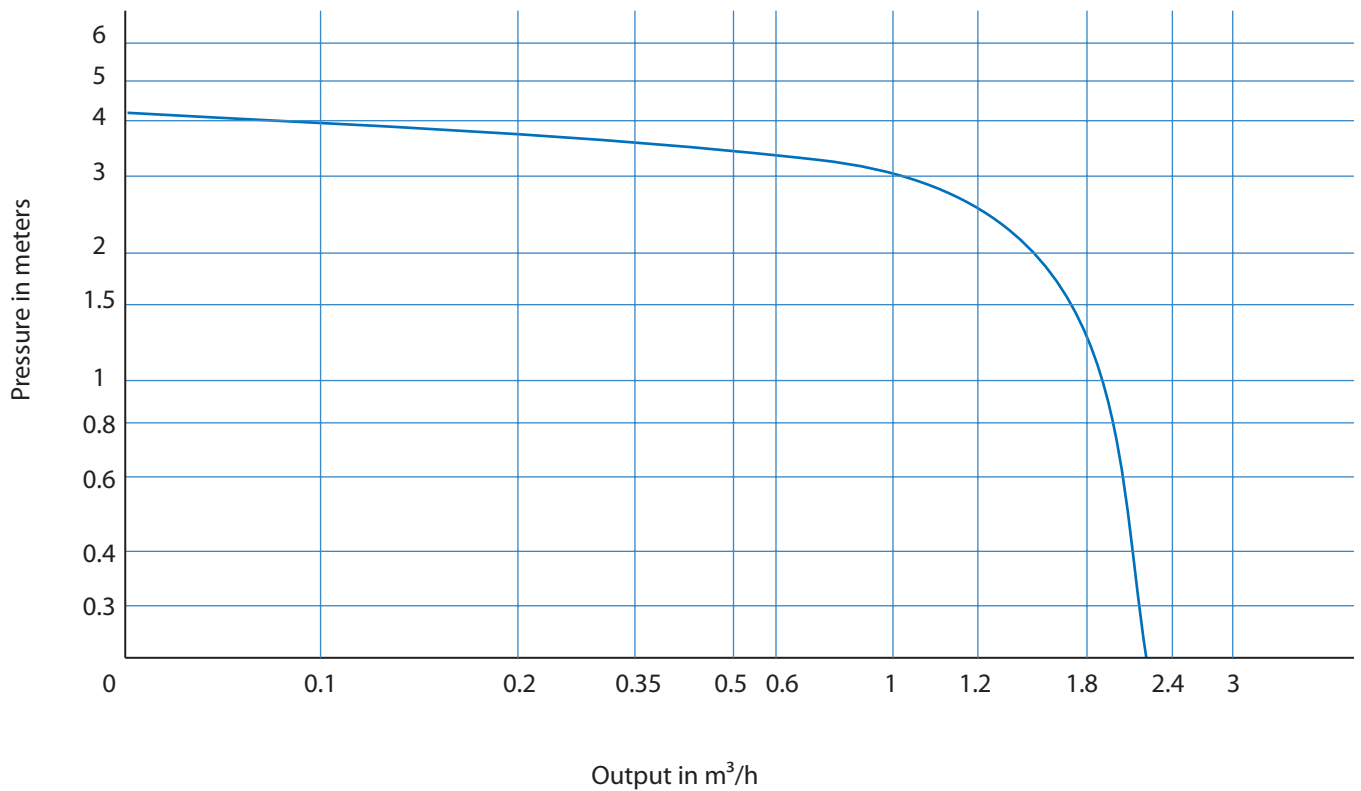




Curves

J15 filter

- Manometric head in meters
- Output in m^3/h

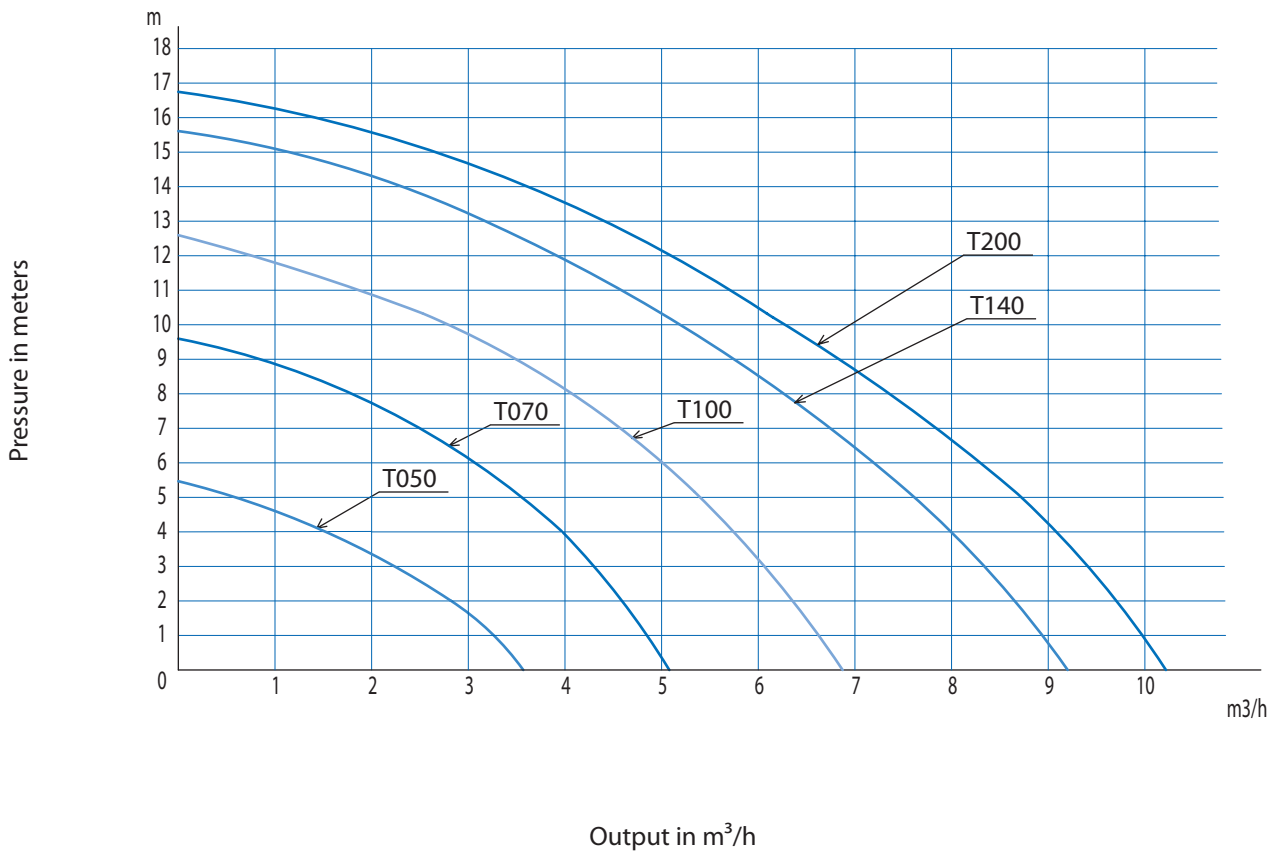




Curves

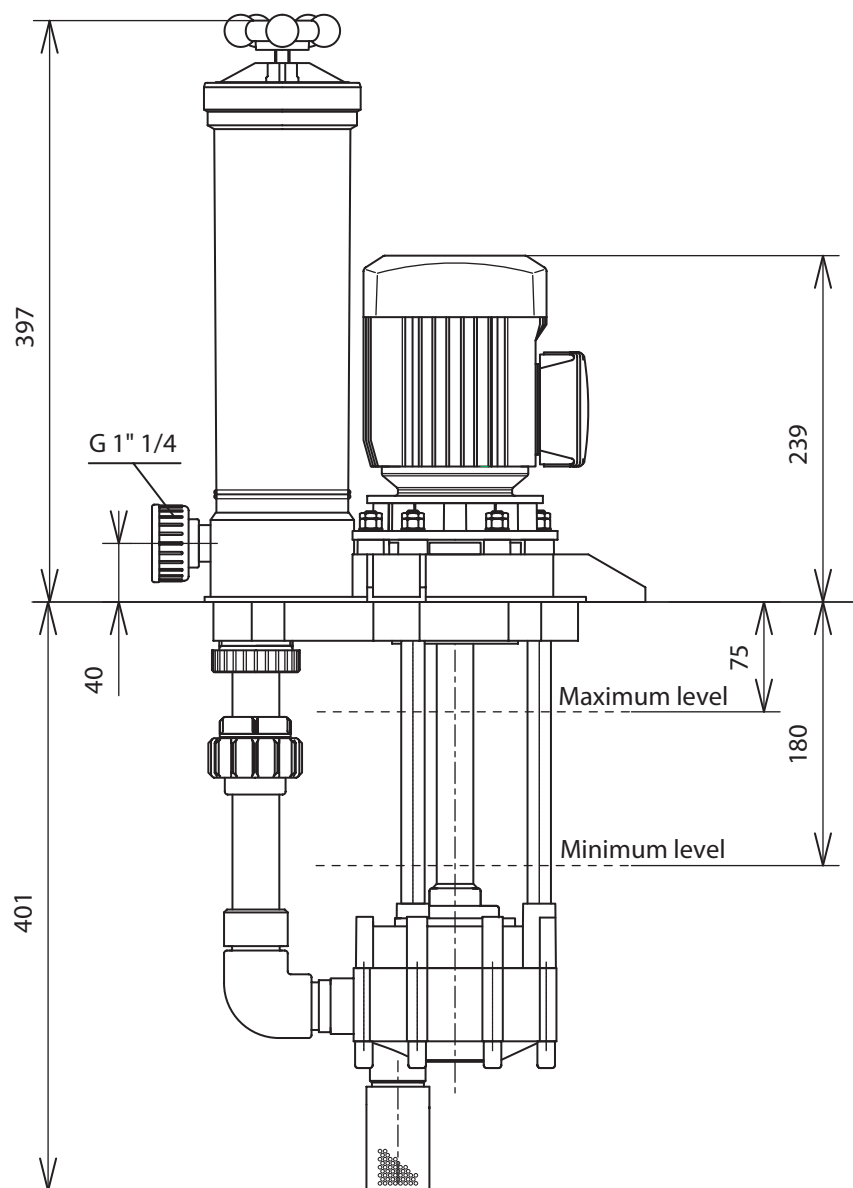
J30 - J50 filters

- Manometric head in meters
- Output in m³/h



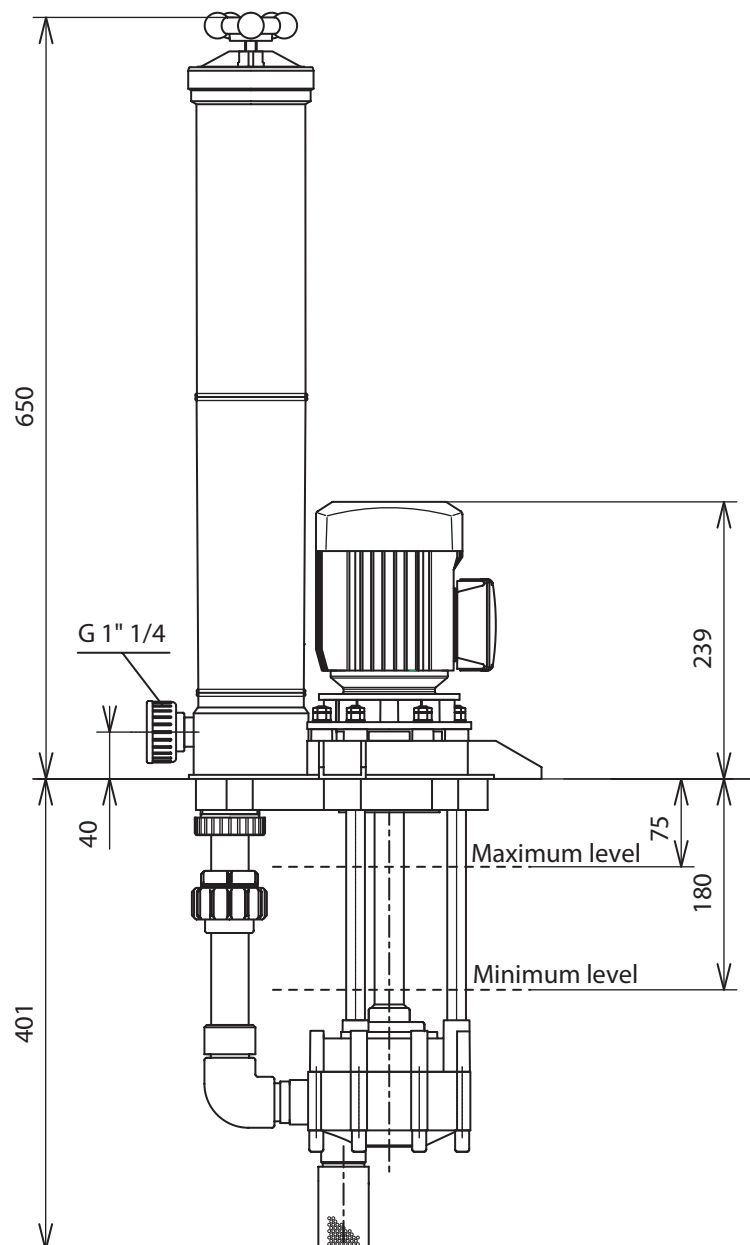


General dimensions of J15-10" filter



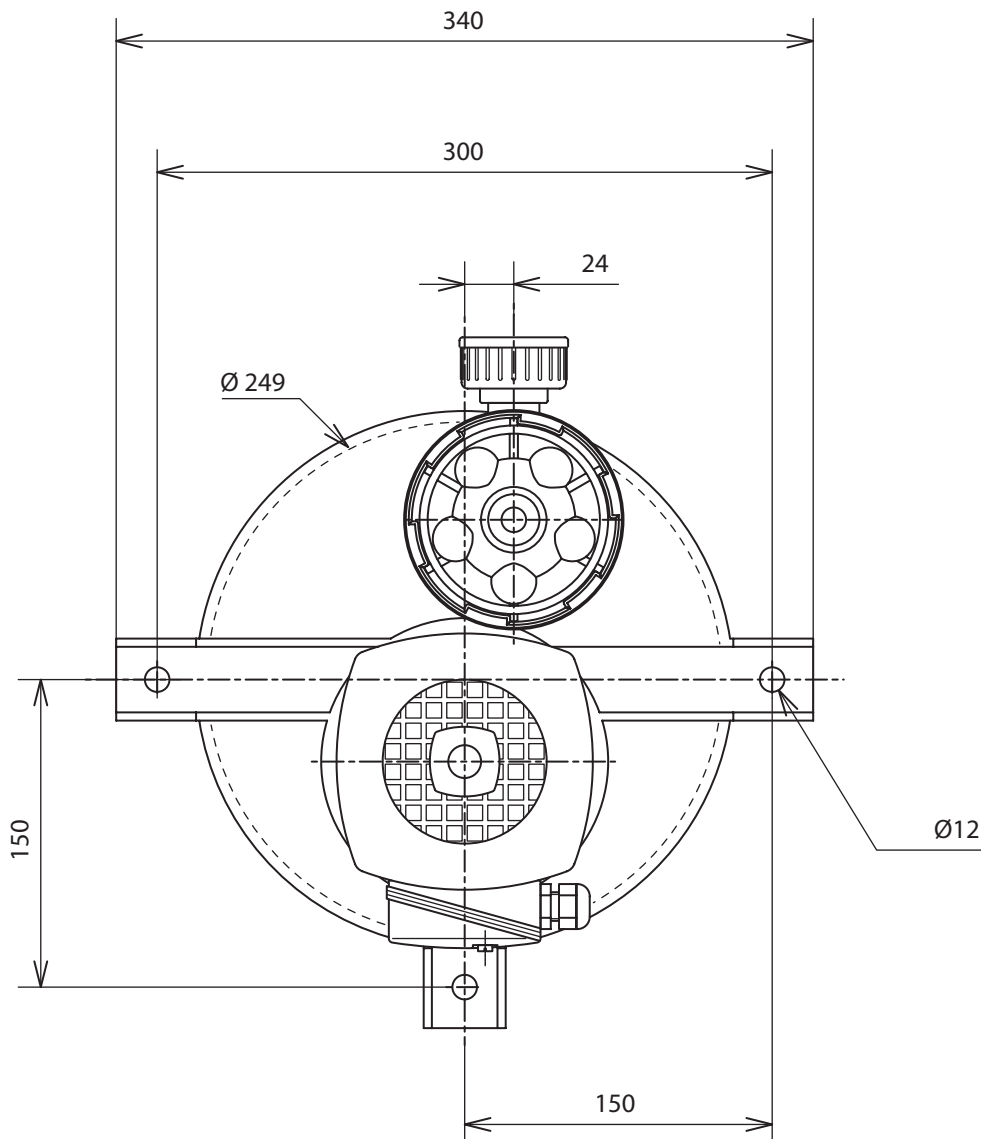


General dimensions of J15-20" filter



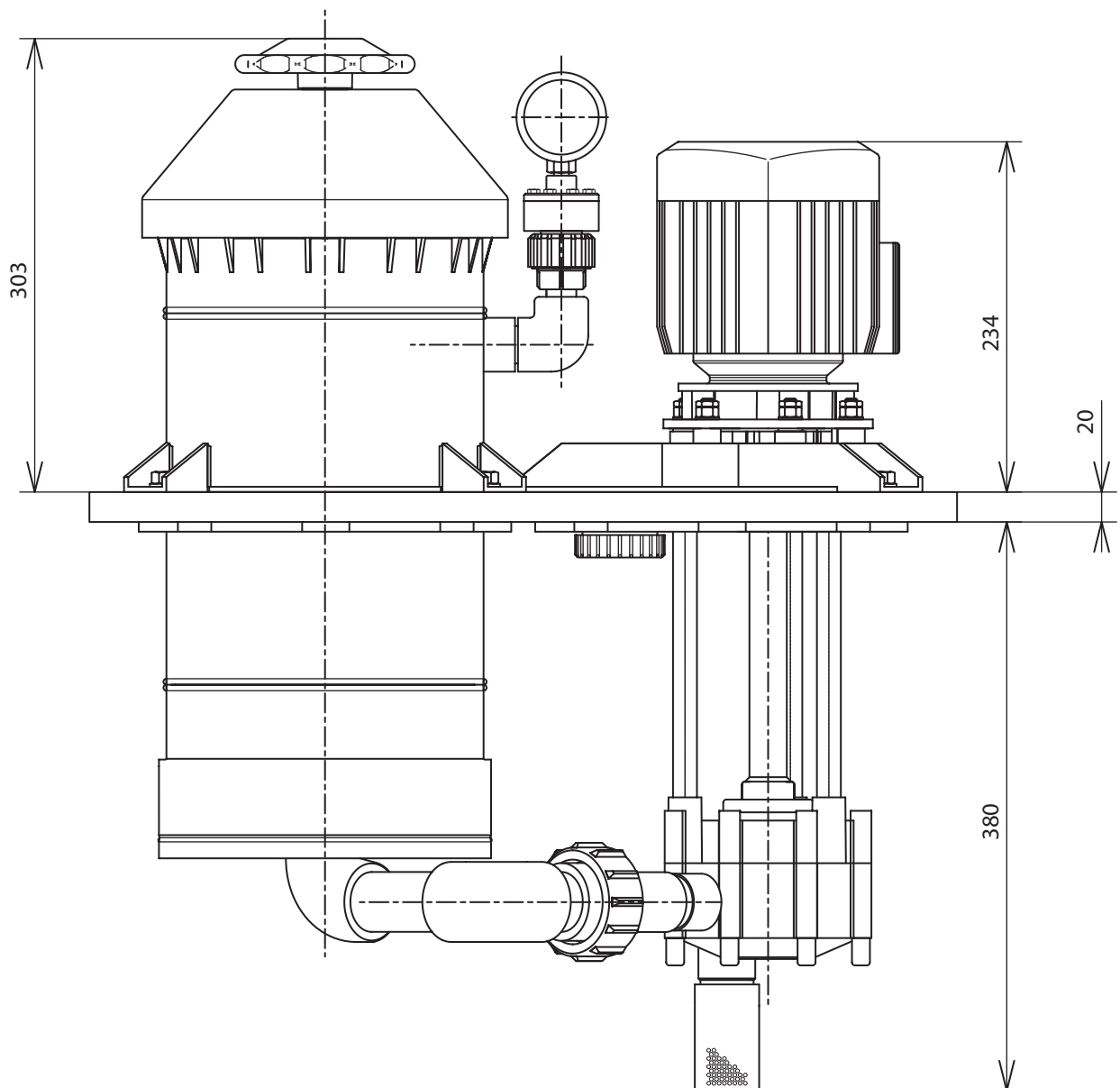


J15 filter general dimensions



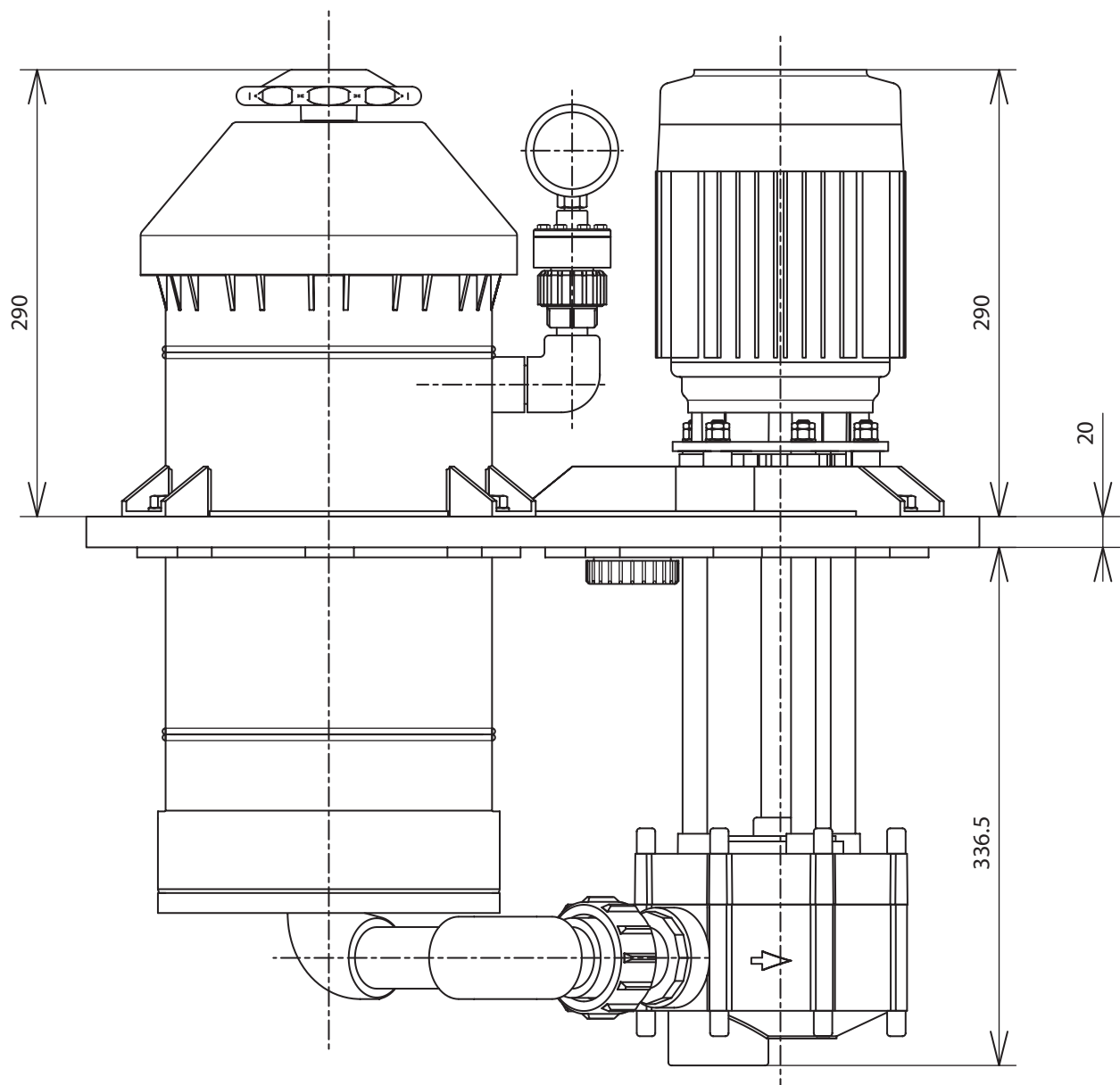


General dimensions of J30 filter with T050 or T070 pump



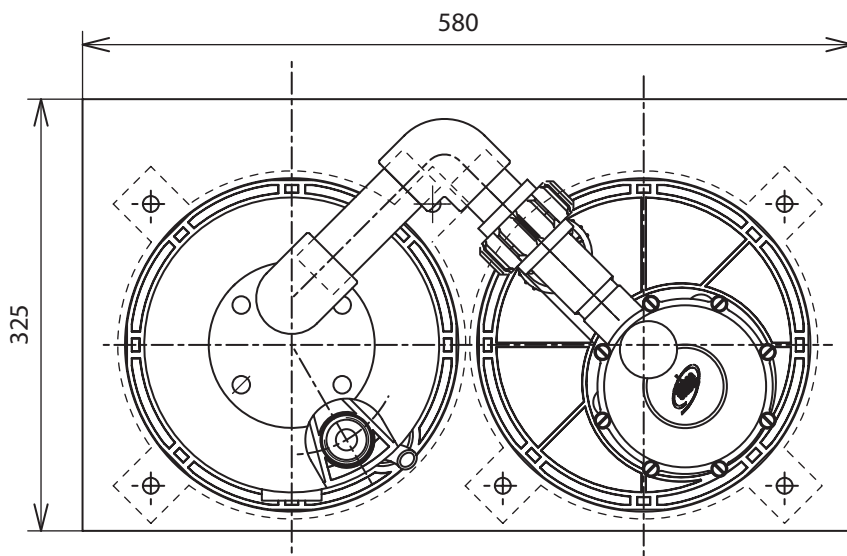


General dimensions of J30 filter with T100 or T140 pump

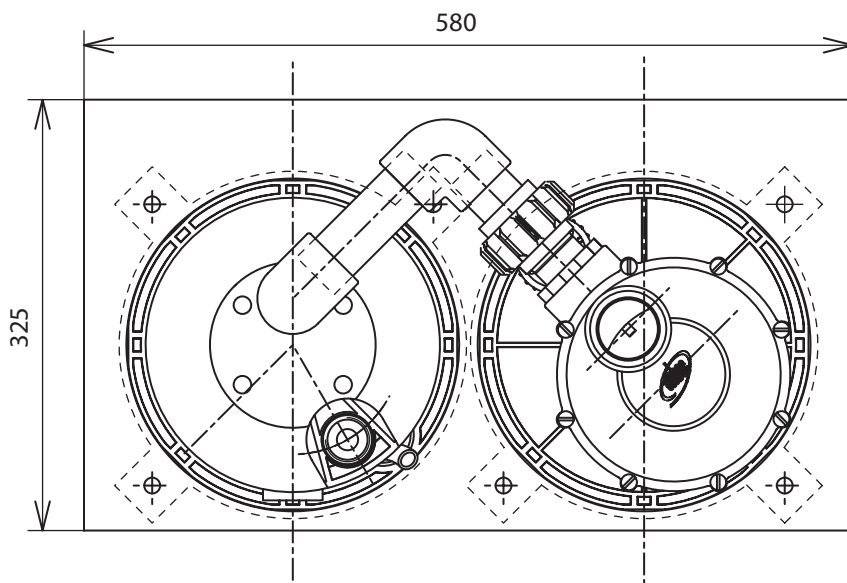




J 30 filter general dimensions



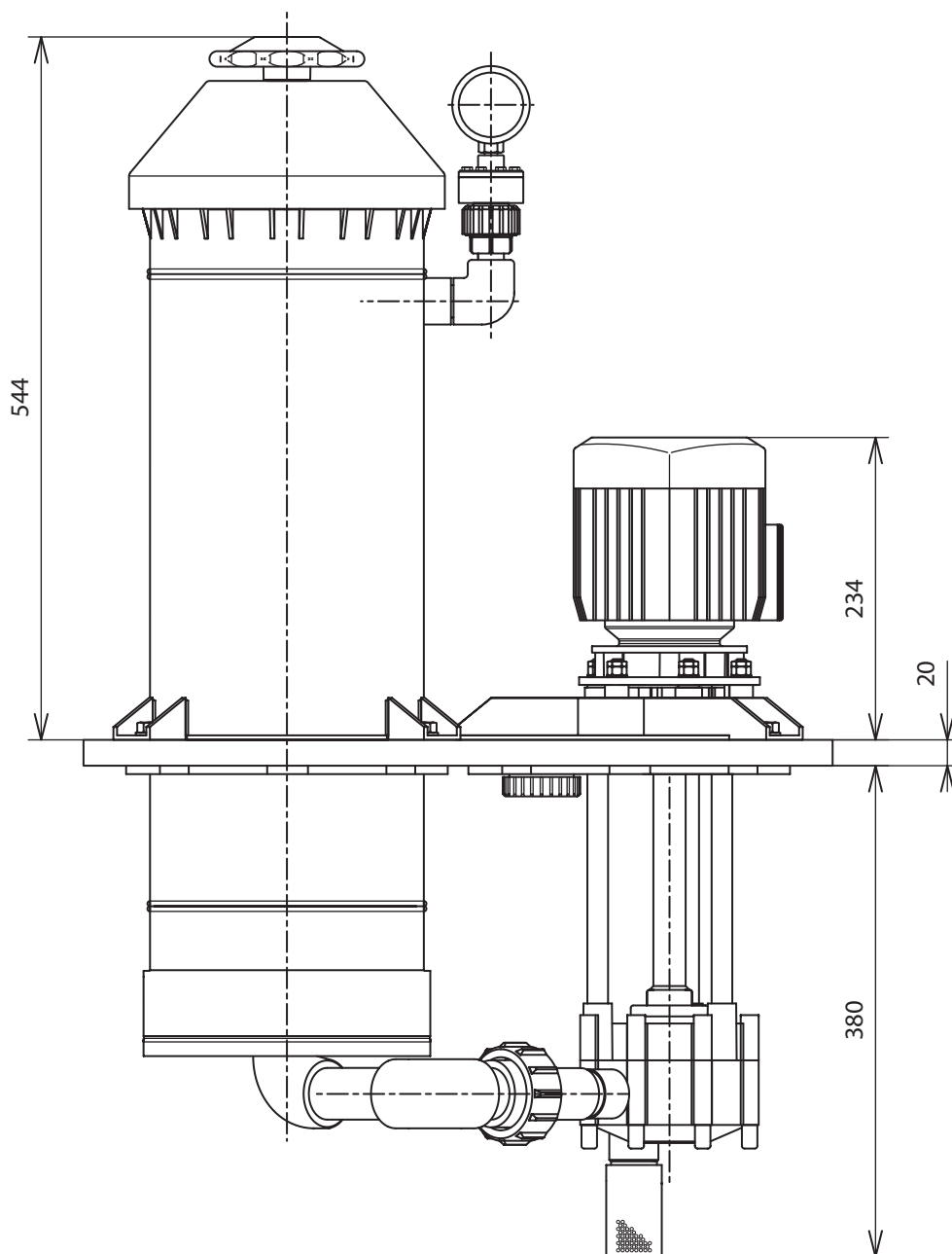
With T050 or 070 pump



With T100 or T140 pump

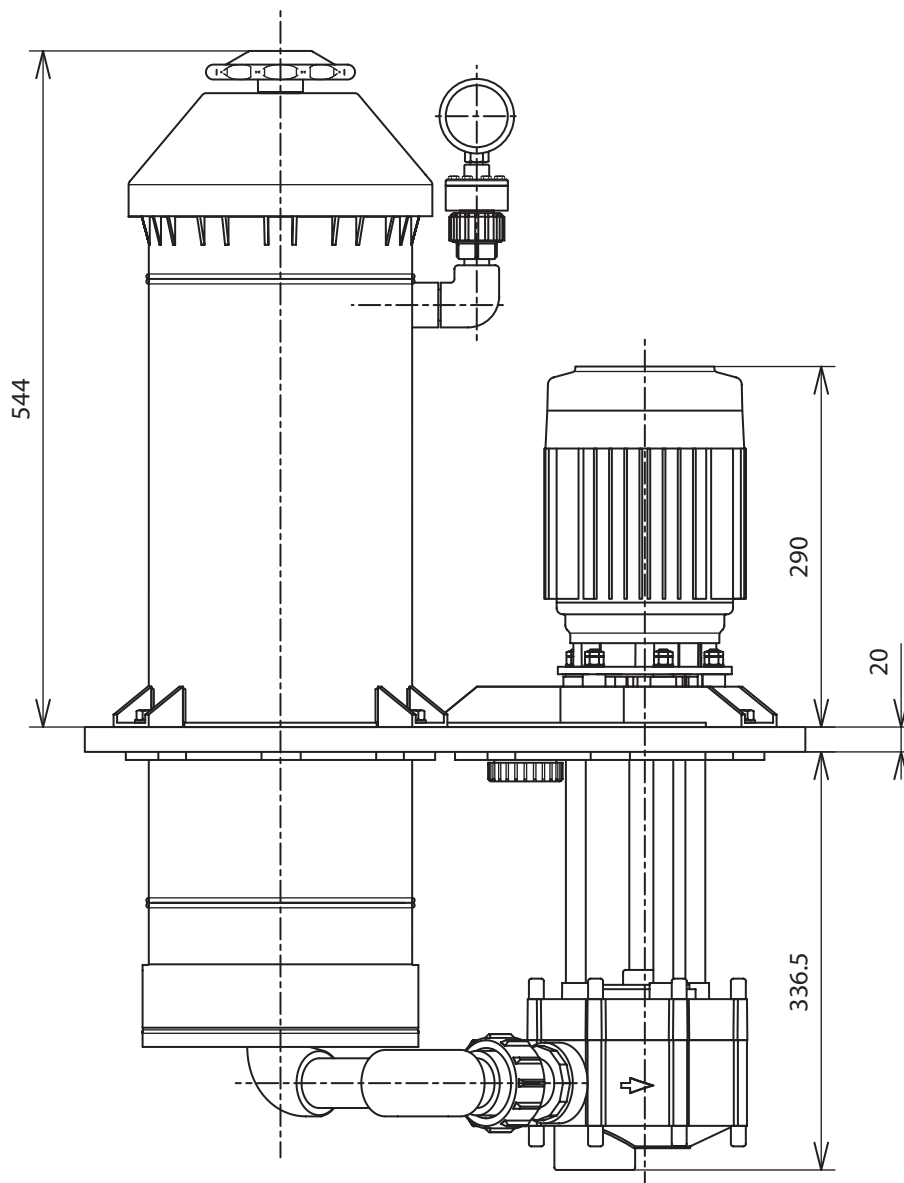


General dimensions of J50 filter with T070 pump



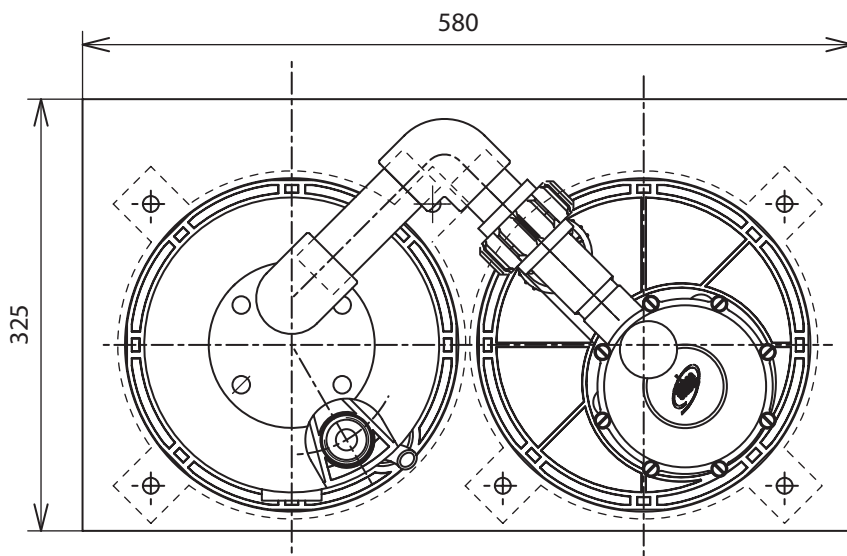


General dimensions of J50 filter with T100, T140 or T200 pump

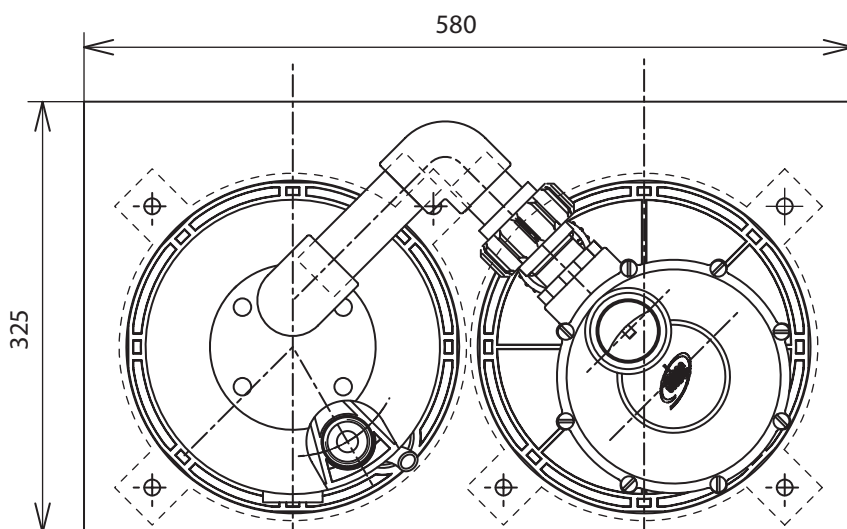




J50 filter general dimensions



With T070 pump



With T100, T140 or T200 pump