



OIL EXTRACTORS CATALOGUE



SIEBEC oil extractors are made of :

- a polypropylene filter body fitted with a fast-opening lid
- a removable polypropylene micro-fibre canister (capacity 11.6 liters)
- a centrifugal pump with magnetic drive
- a pressure-gauge indicating the clogging-up of the cartridge

The unit is made of polypropylene and can be used without risk on acid or basic solutions up to 60°C. The gaskets on the pump and filter are made of FPM.

The canister is filled with 100% polypropylene microfibres. It is also fitted with a 50µ filtration cartridge to be replaced when you change microfibres themselves. Microfibres show an outstanding adsorption area and remove a lot of oil : 700 g microfibres will retain 6 liters oil. They are hydrophobic, can be compacted and incinerated. No need to pay a particular attention to storage conditions, humidity or use-by date.

Most common uses are :

- Extraction of oil from degreasing solutions
- Extraction of oil from soluble cutting oils

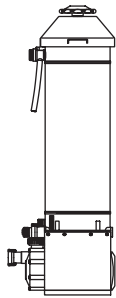
 *Presentation of the range*

 *Curves*

 *General dimensions*



Presentation of the range



Oil extractor H50

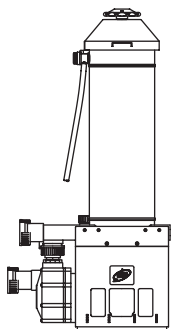
Technical features

- Pump model *M50*
- Maximum output *4 m³/h*
- Filtering element *1 polypropylene microfibrés canister*
11.6 liters

DIMENSIONS



CURVES



Oil extractor H51

Technical features

- Pump model *M100*
- Maximum output *9 m³/h*
- Filtering element *1 polypropylene microfibrés canister*
11.6 liters

DIMENSIONS

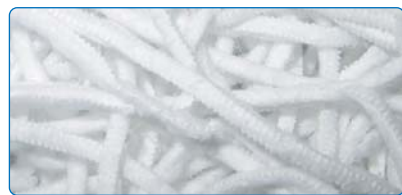


CURVES

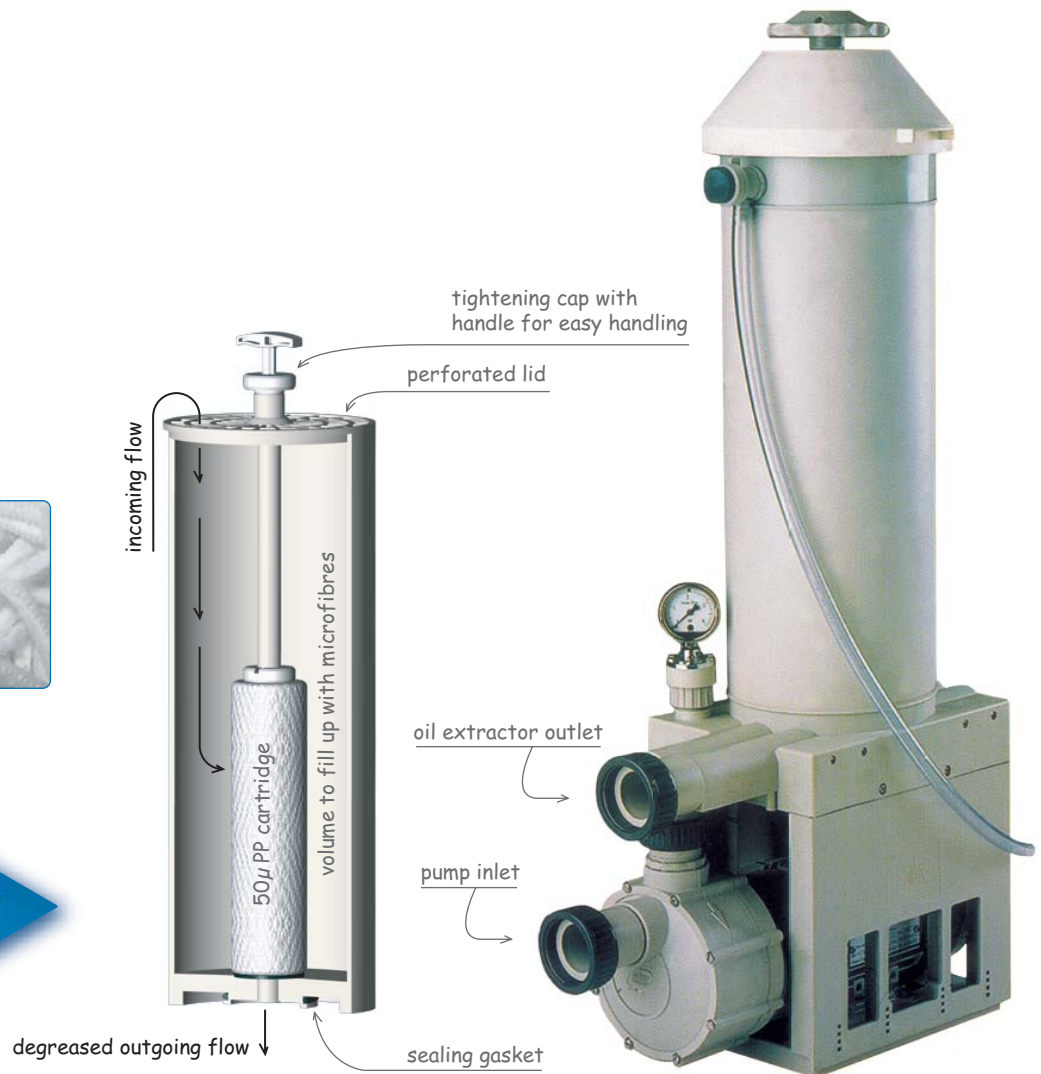


OIL EXTRACTOR SIEBEC H50-H51

An easy and economic way of removing oil



PP microfibres

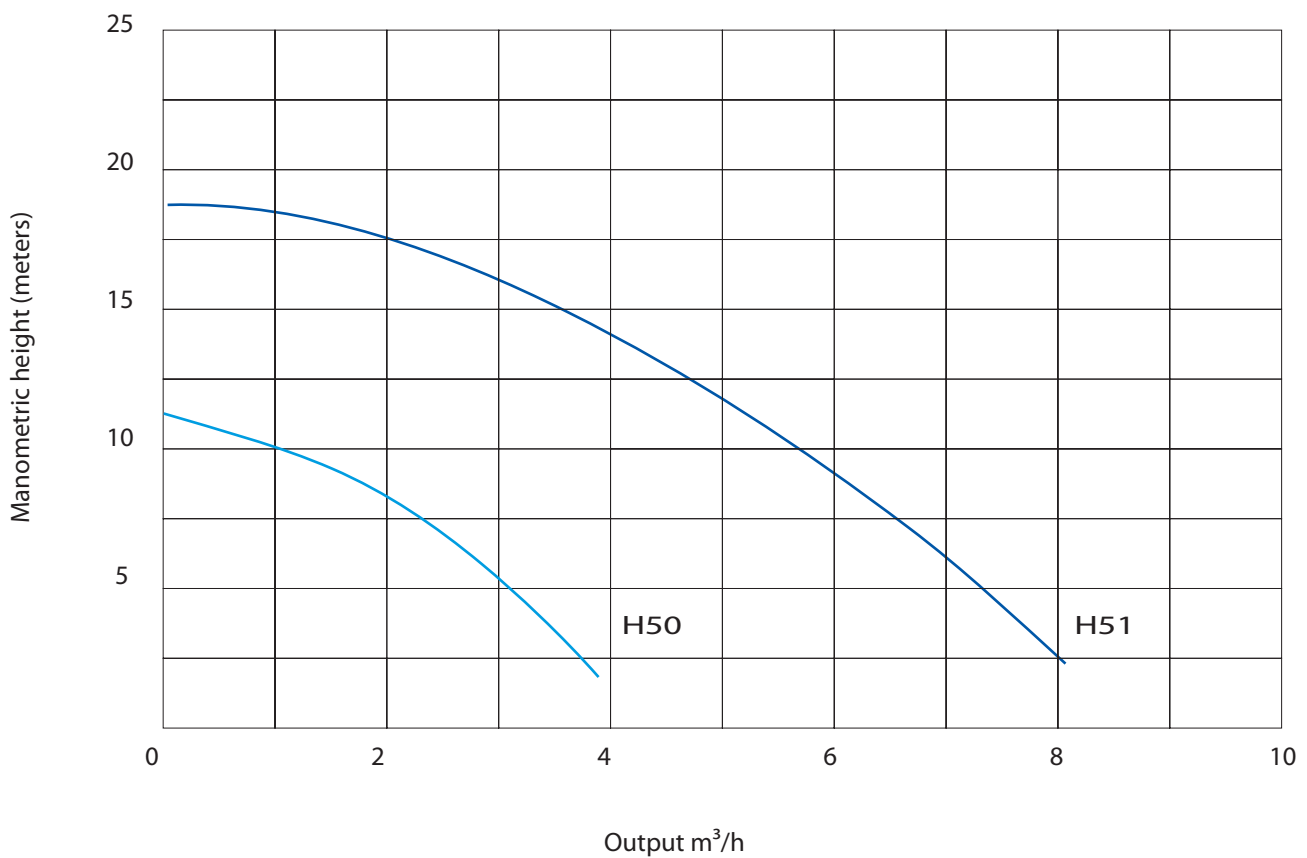




Curves

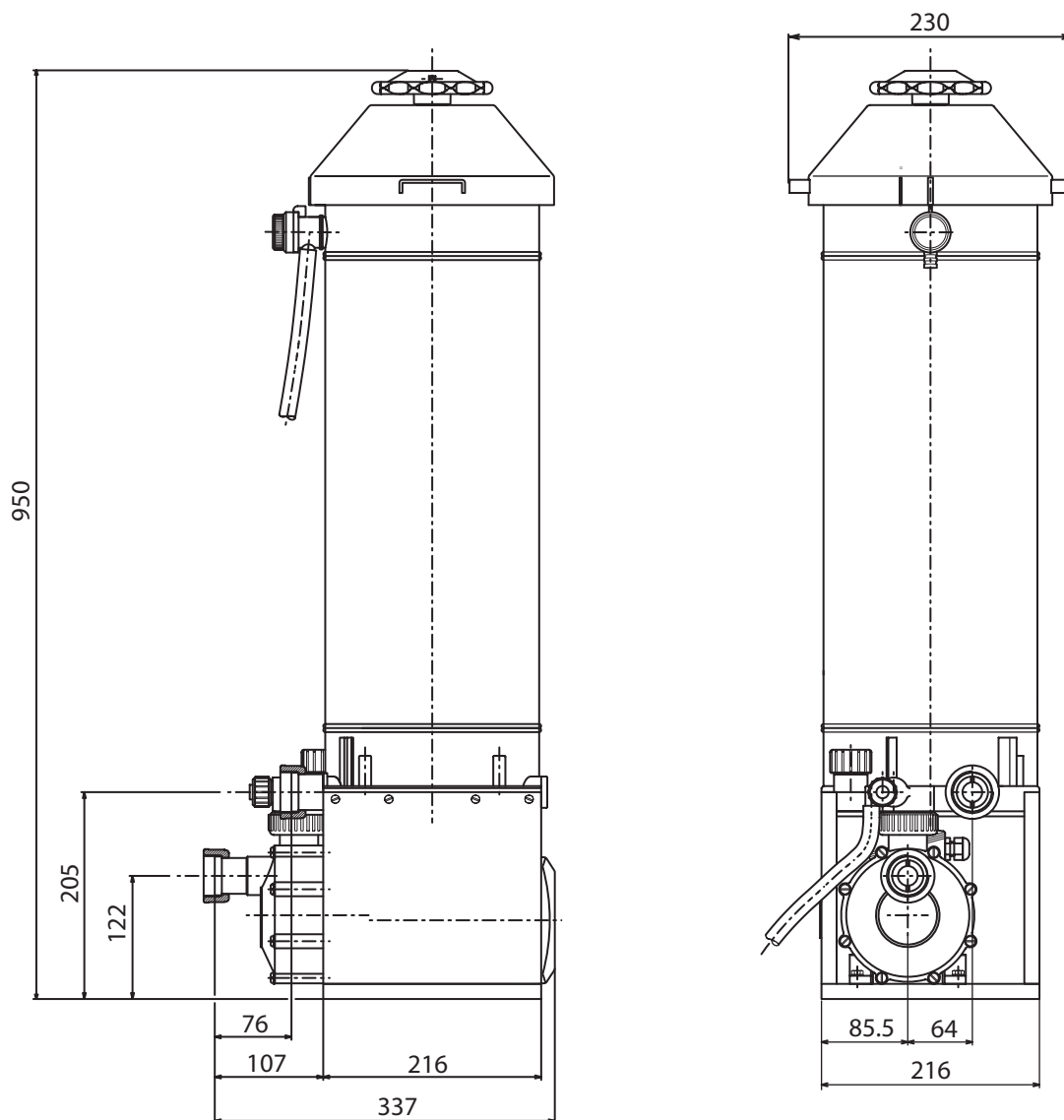
H50 and H51 oil extractors

- **Manometric height (meters)**
- **Output m^3/h**



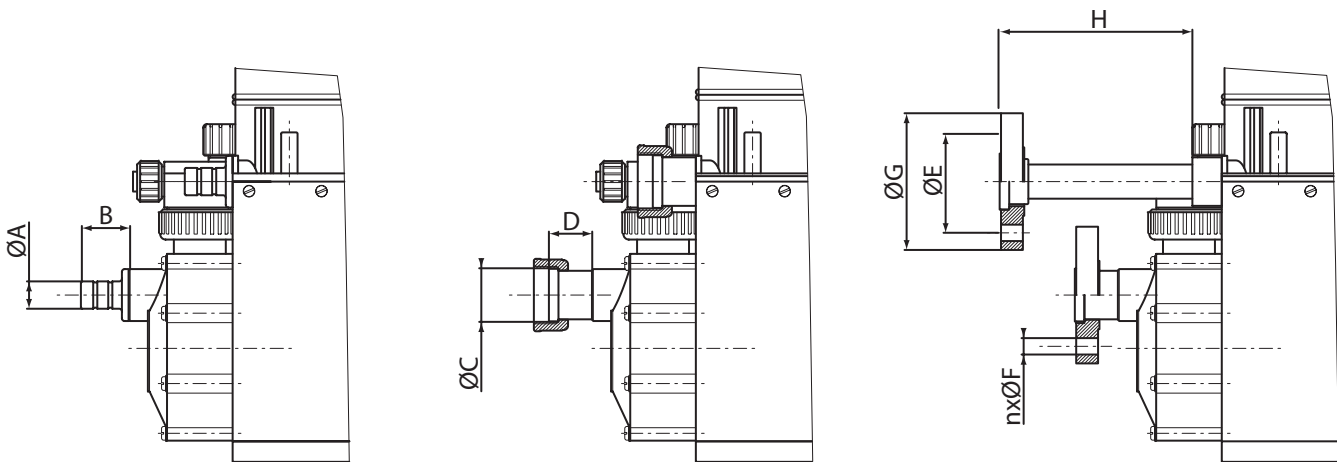


General dimensions oil extractor H50





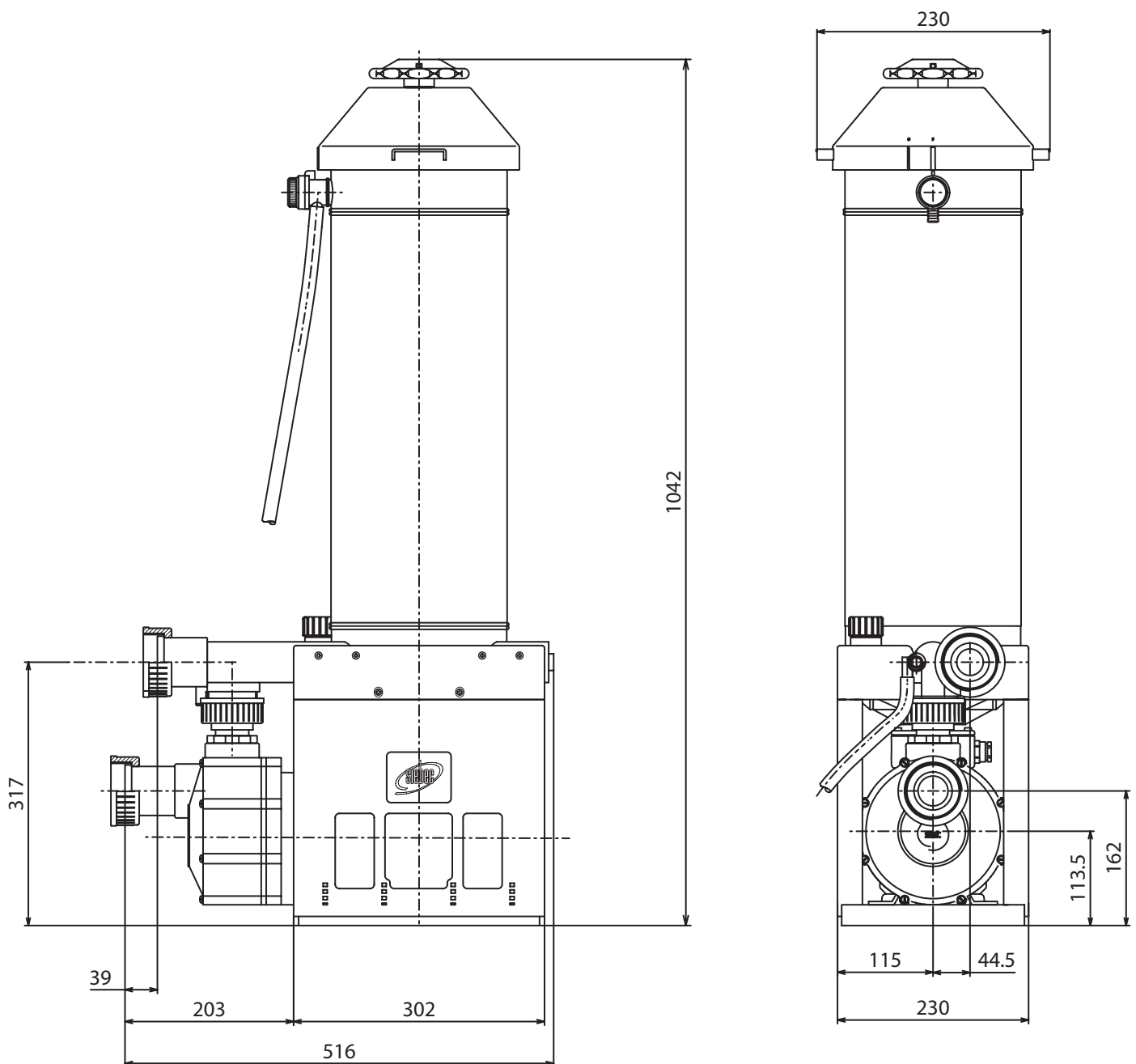
Connections oil extractor H50



| Type of pump | | Grooved nozzle | Union nut | Flange |
|--------------|-----------------------------|----------------|--------------------|------------------------|
| | | ØA - B | ØC (DN) - D | ØG - ØE - nxØF - H |
| M50 | <i>pump inlet</i> | 25 - 35 | G1"1/2 - DN20 - 30 | 100 - 75 - 4x12 - 31.5 |
| | <i>oil extractor outlet</i> | 25 - 35 | G1"1/2 - DN20 - 30 | 100 - 75 - 4x12 - 140 |

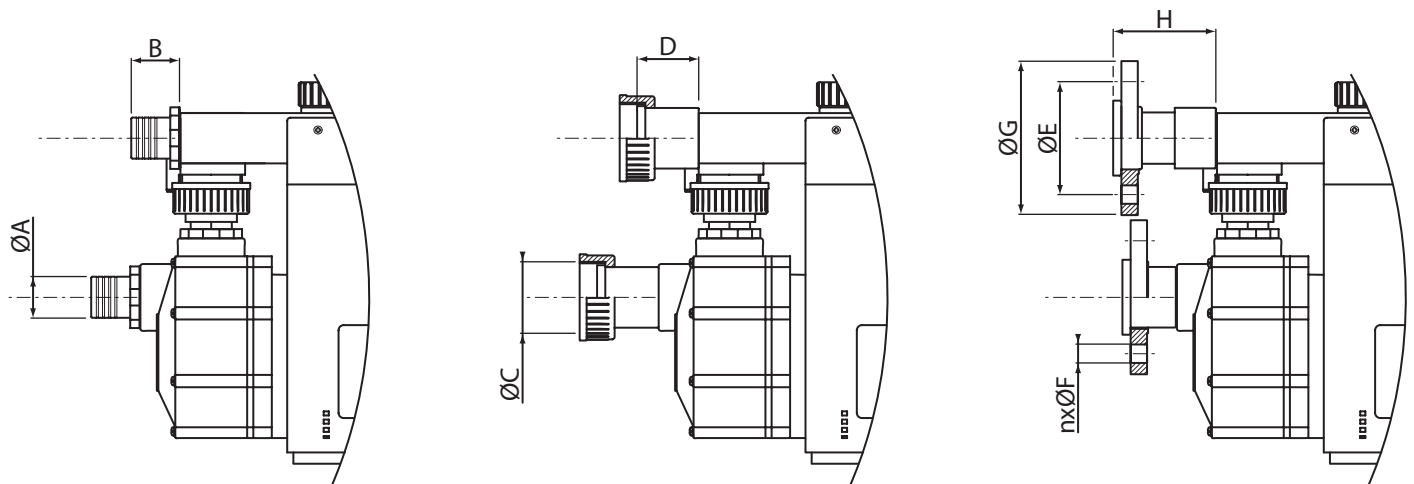


General dimensions oil extractor H51





Connections oil extractor H51



| Type of pump | | Grooved nozzle | Union nut | Flange |
|--------------|-----------------------------|----------------|--------------------|-----------------------|
| | | ØA - B | ØC (DN) - D | ØG - ØE - nxØF - H |
| M100 | <i>pump inlet</i> | 40 - 47 | G2"1/4 - DN40 - 60 | 150 - 110 - 4x18 - 60 |
| | <i>oil extractor outlet</i> | 40 - 47 | G2"1/4 - DN40 - 60 | 150 - 110 - 4x18 - 60 |