



APPLICATIONS :

- surface treatment**
- transfer, pumping of chemicals**
- water treatment**
- paper industry**
- agribusiness**
- cosmetics industry**
- fish farming**
- metallurgy**

France

SIEBEC SAS
9 rue des platanes
ZAC Vence Ecoparc
38120 SAINT-ÉGRÈVE
Tél. : 33 (0)4 76 26 12 09
Fax : 33 (0)4 76 27 04 82

www.siebec.com

England

SIEBEC UK Ltd
Unit 3 - ST.Alban's BusinessPark
ST. ALBAN'S RD
STAFFORD - ST16 3DR
Ph. : +44 (0)1 785 227 700
Fax : +44 (0)1 785 246 006





M15



M25



M7

Features	Advantages
Pump body made of injected plastic (Polypropylene or PVDF)	Excellent resistance to acids and bases Max. fluid temperature = 80°C
Closed centrifugal pump impeller with diffusion part	Very good efficiency Max. flow rate up to 3.8 m ³ /h Max. manometric head up to 7 m
Impeller driven by high capacity magnetic coupler	No gaskets, no risks of leaks Compatible with fluids of S.G. up to 1.2 according to models
Integrated electric motor	Reduced dimensions

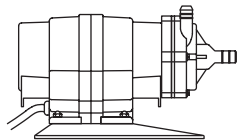


M7 - M15 - M25 magnetic drive pumps

230 V 1 ph motor or 230/400 V 3 ph motor (except M7)- 50 Hz or 60 Hz upon request - 2,900 rpm

Standard inlet/outlet with grooved nozzles

Optional union nuts or flange fittings except on M7 pump, union nuts only on M15 pump.



M7 pump

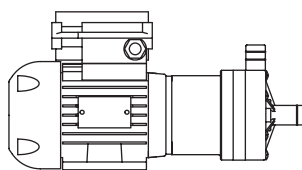
Technical features

- Motor power 0,01 kW one-phase motor
- Max. output 0.7 m³/h
- Max. head 4 m CE
- Max. fluid temperature PP body 80° C
- S.G. < 1.2
- Gaskets EPDM - FPM

DIMENSIONS



CURVES



M15 pump

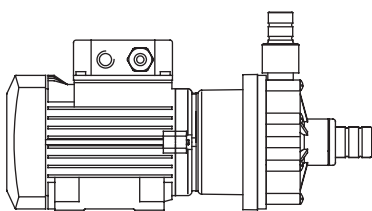
Technical features

- Motor power 0.045 kW one-phase or three-phase motor
- Max. output 2 m³/h
- Max. head 6 m CE
- Max. fluid temperature PP body 80° C
- S.G. < 1.2
- Gaskets EPDM - FPM

DIMENSIONS



CURVES



M25 pump

Technical features

- Motor power 0.12 kW one - phase or three - phase motor
- Max. output 3.8 m³/h
- Max. head 6 m CE
- Max. fluid temperature PP body 80° C
- S.G. < 1,1
- Gaskets EPDM - FPM

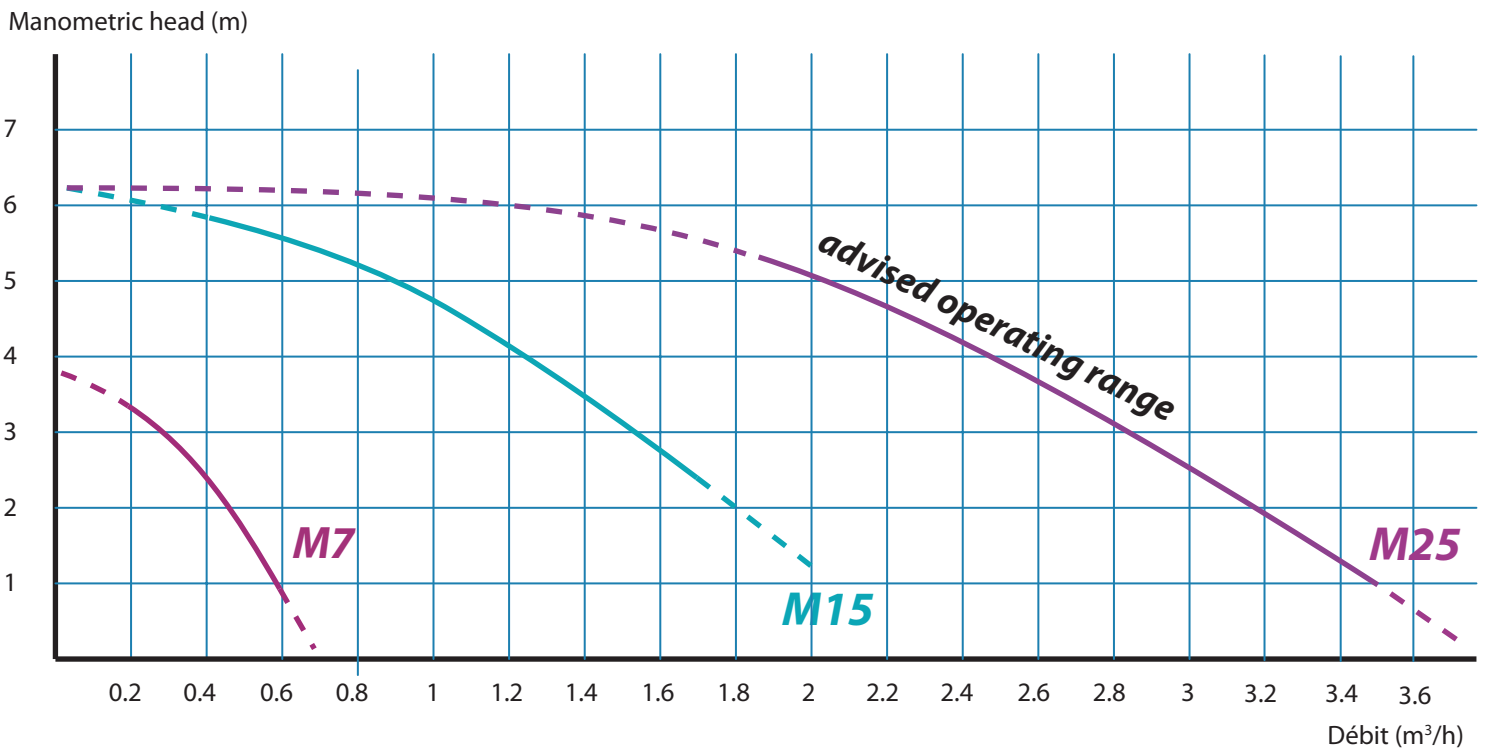
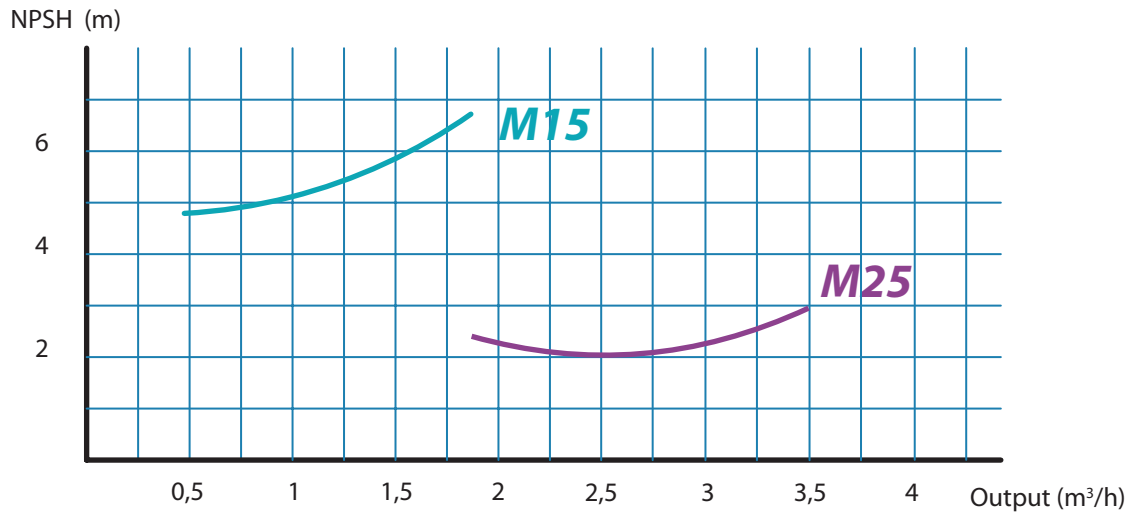
DIMENSIONS



CURVES

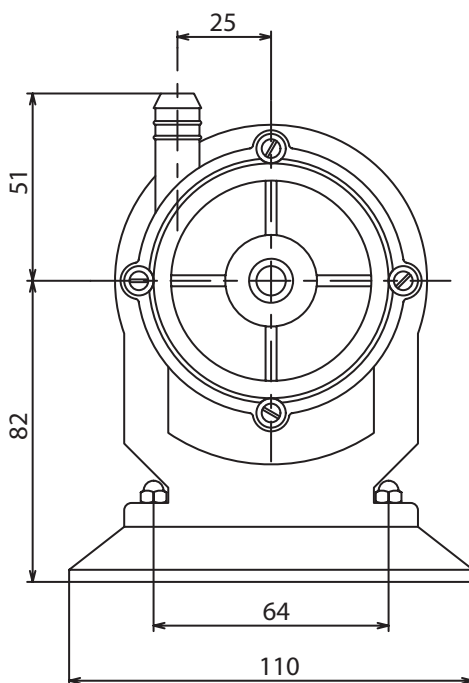
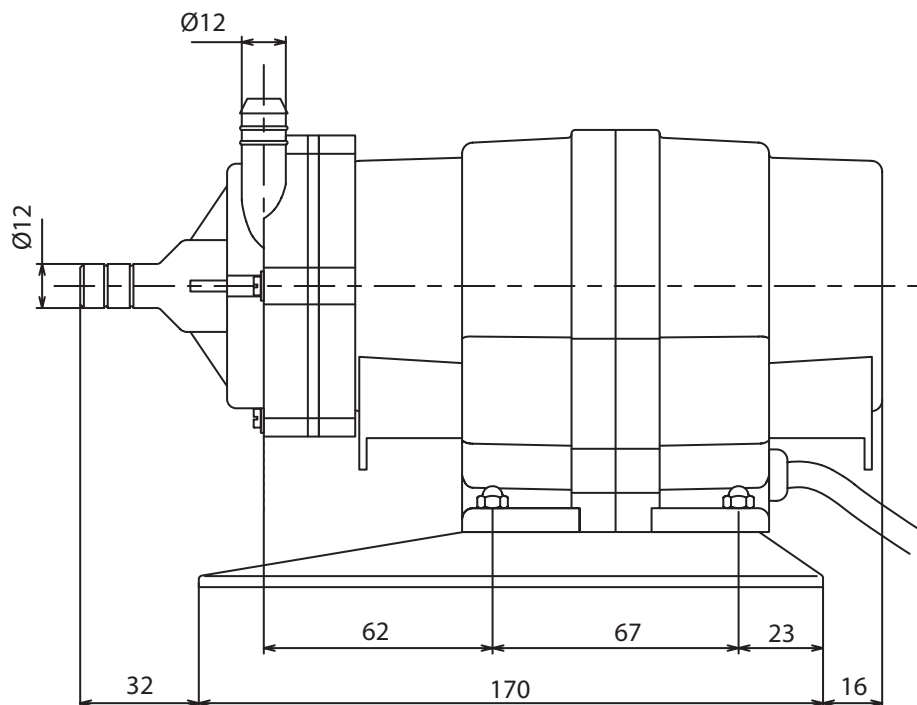


M7 - M15 - M25 pumps





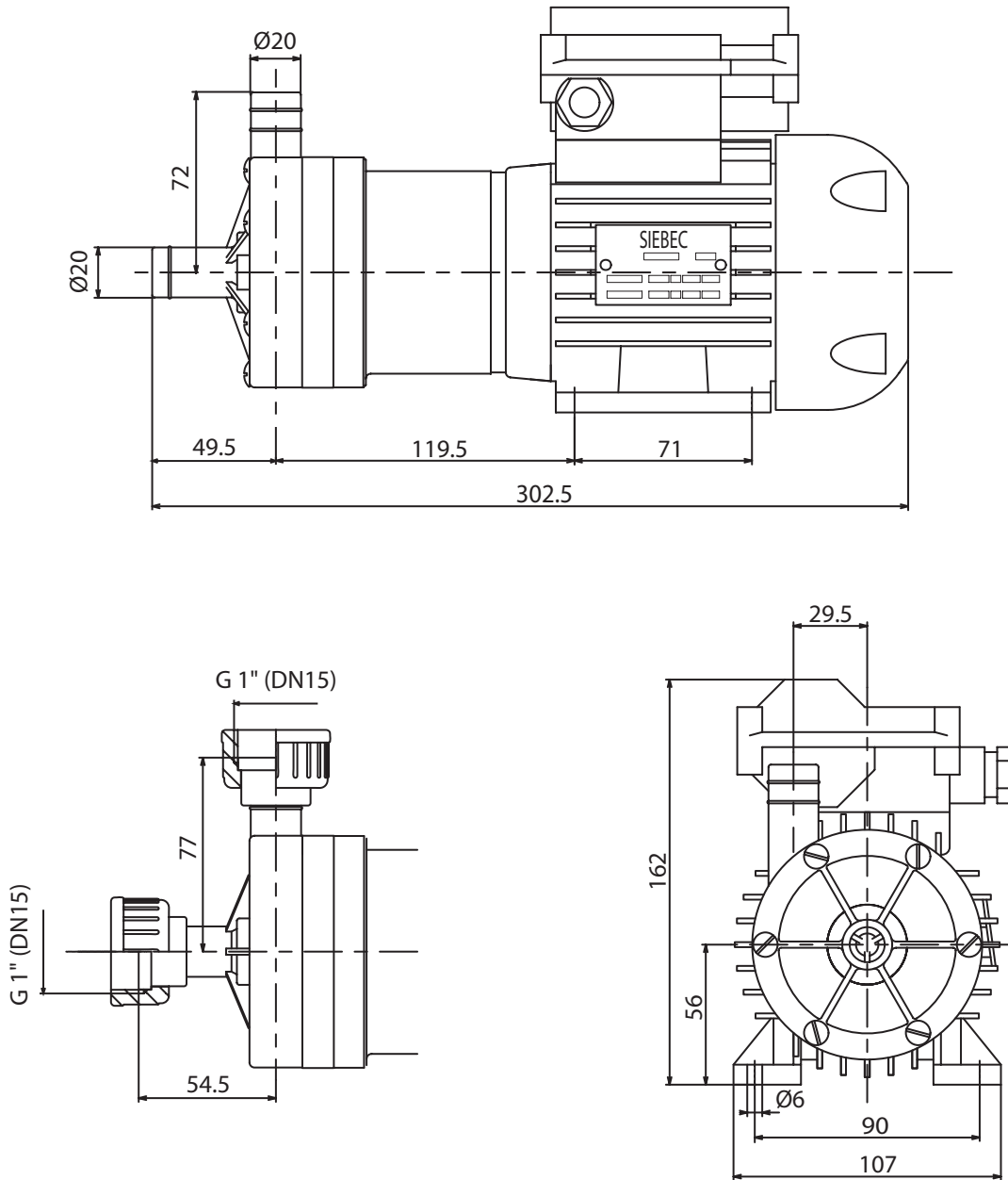
M7 pump



MASS: 1.9 kg



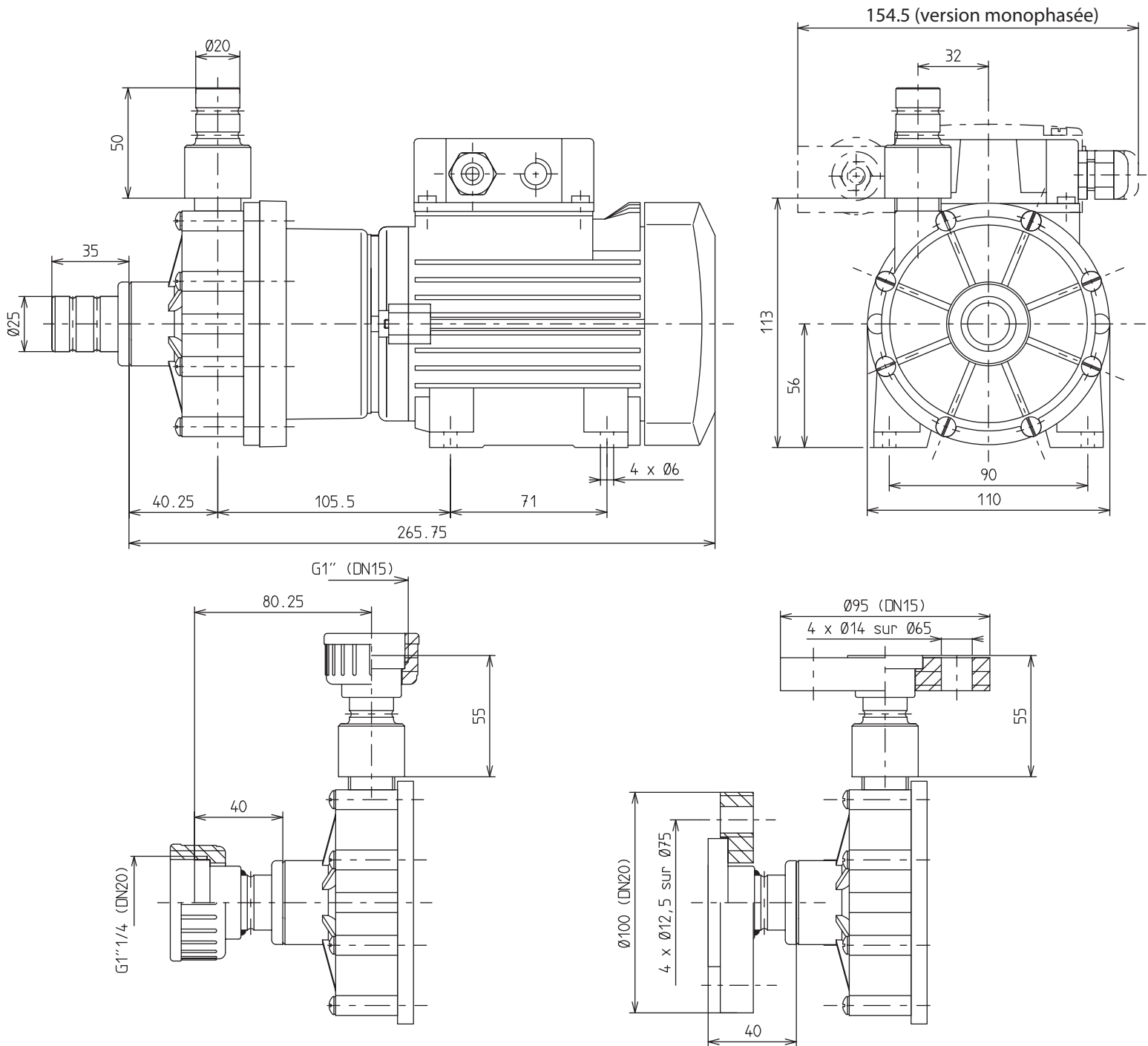
M15 pump



MASS: 3.1 kg



M25 pump



MASS: 3.5 kg